



Parts List

For printer model:

M84Pro



PN: 9001100(D)

SATO America, Inc.

10350A Nations Ford Road
Charlotte, NC 28273

Main Phone: (704) 644.1650

Technical Support: (704) 644.1660

Technical Support Fax: (704) 644.1661

E-Mail: satosales@satoamerica.com

techsupport@satoamerica.com

www.satoamerica.com

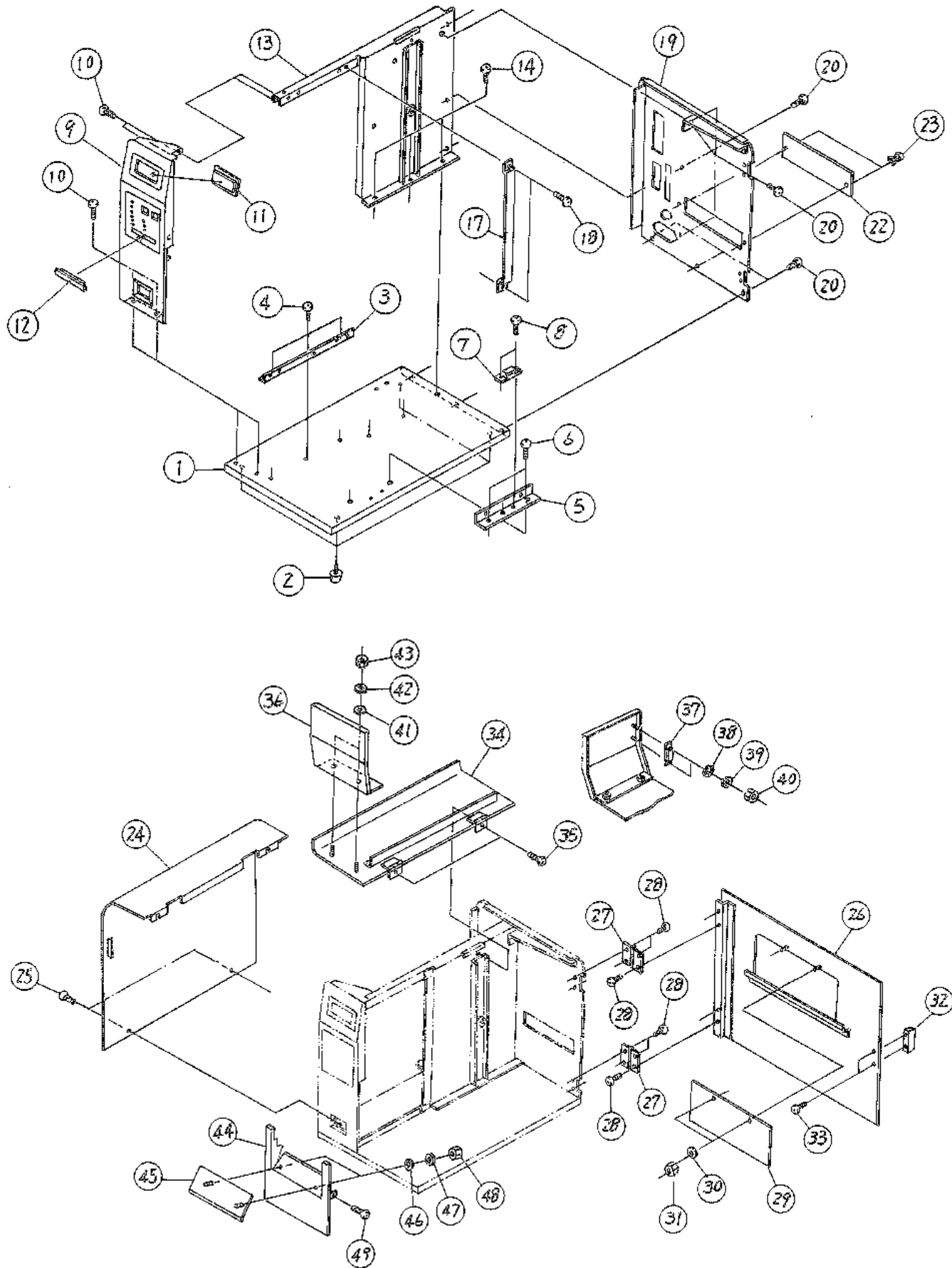
Copyright 2011 SATO America, Inc.

All rights reserved

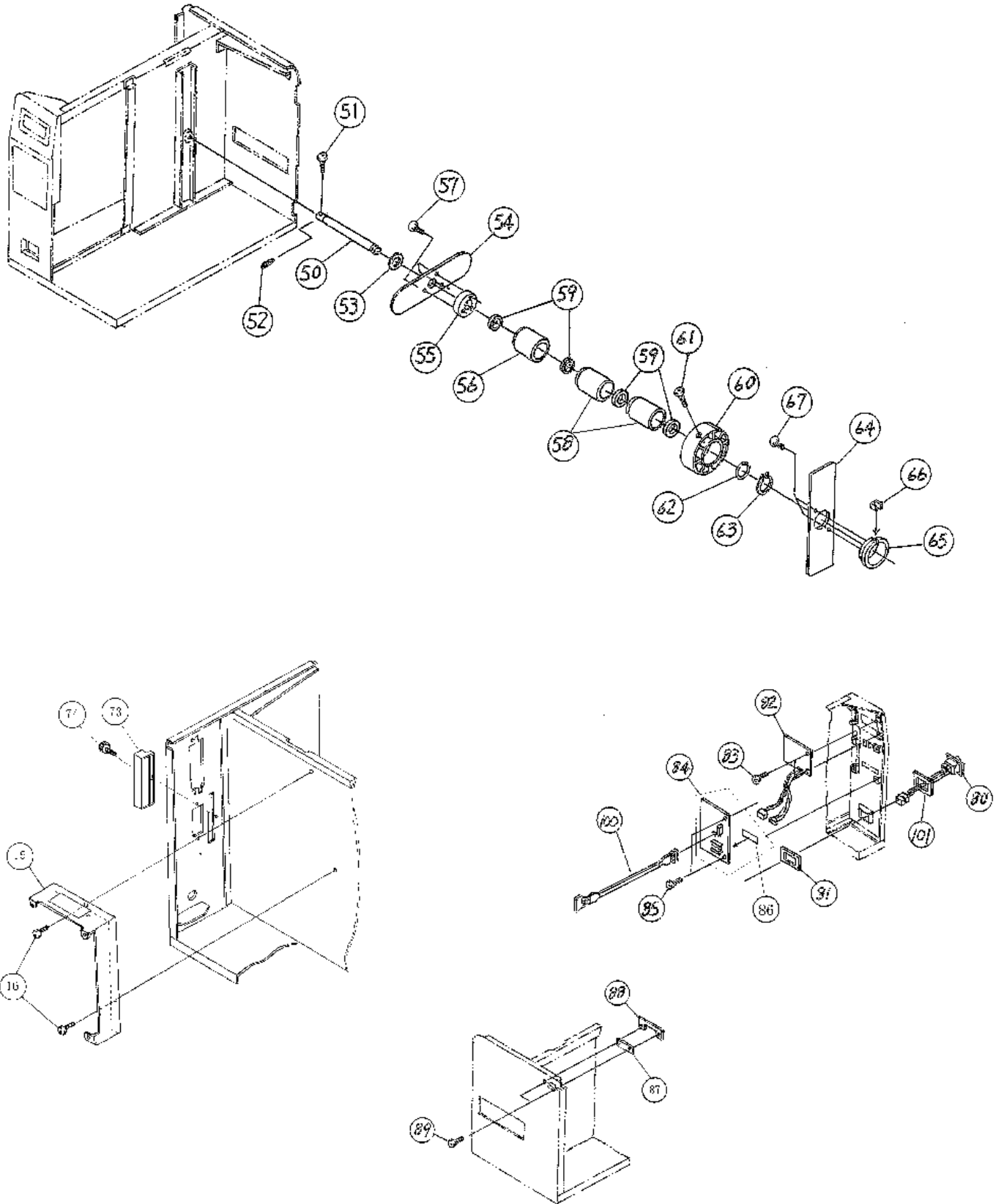
No part of this document may be reproduced or issued to third parties in any form whatsoever without the express permission of SATO America, Inc. The material in this document is provided for general information. SATO America, Inc. assumes no responsibilities for any errors that may appear.

The parts information in this document is accurate at the time of publication and is subject to change without notice.

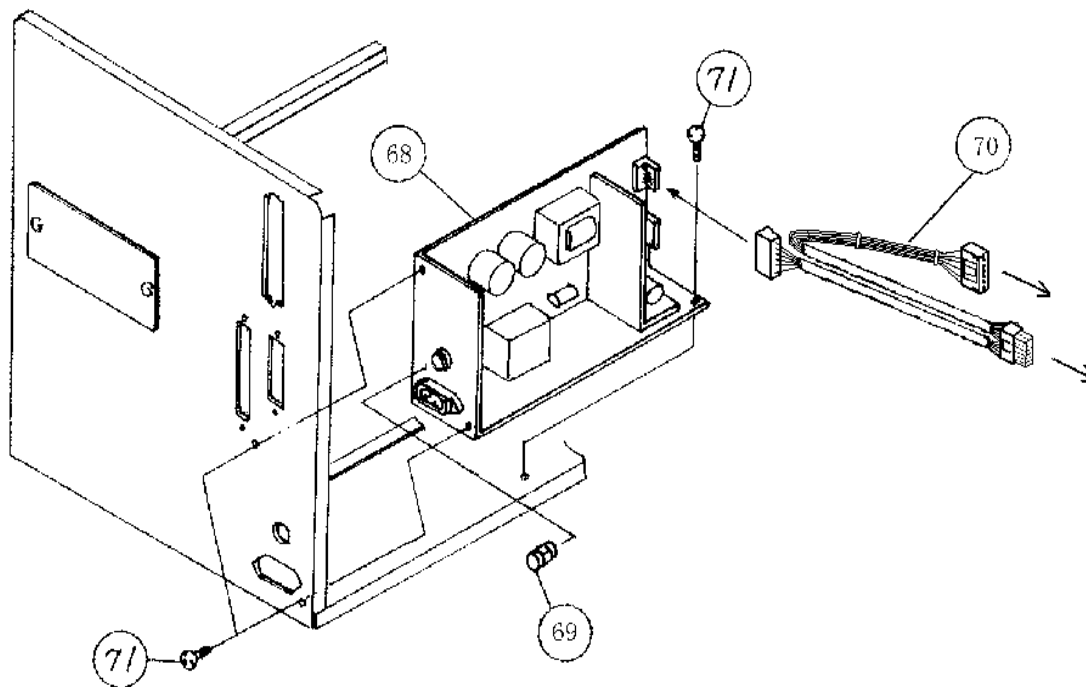
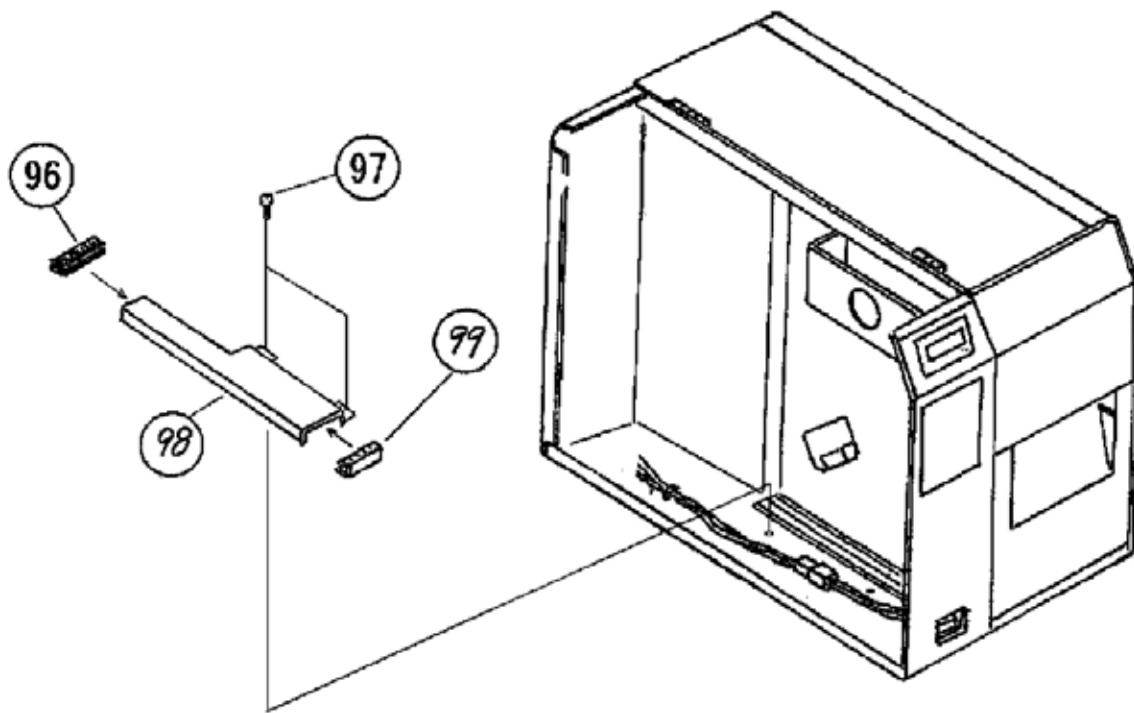
Base Cover Assembly



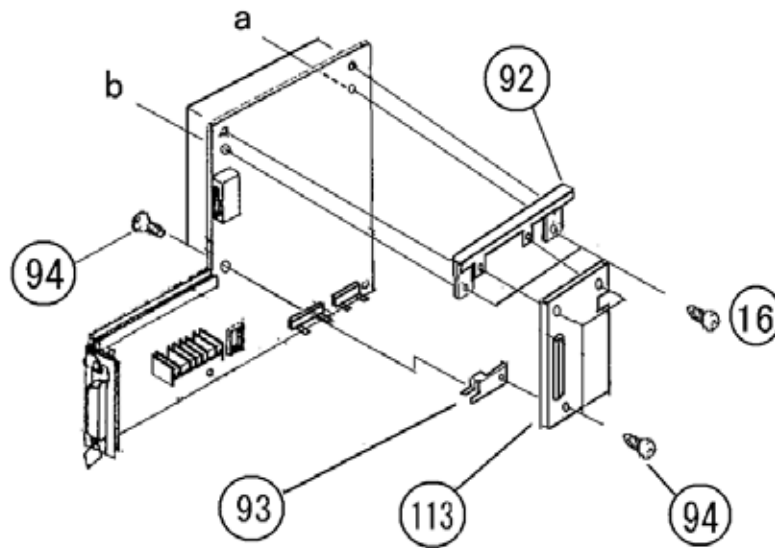
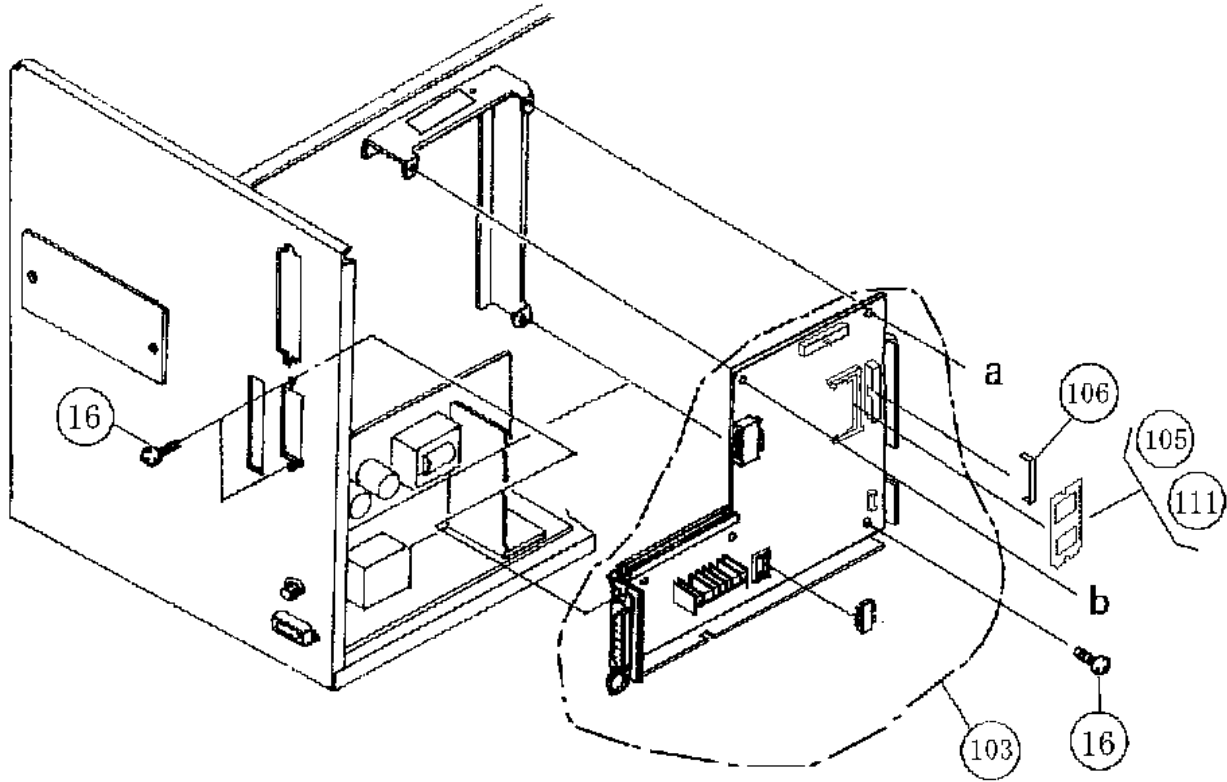
Base Cover Assembly



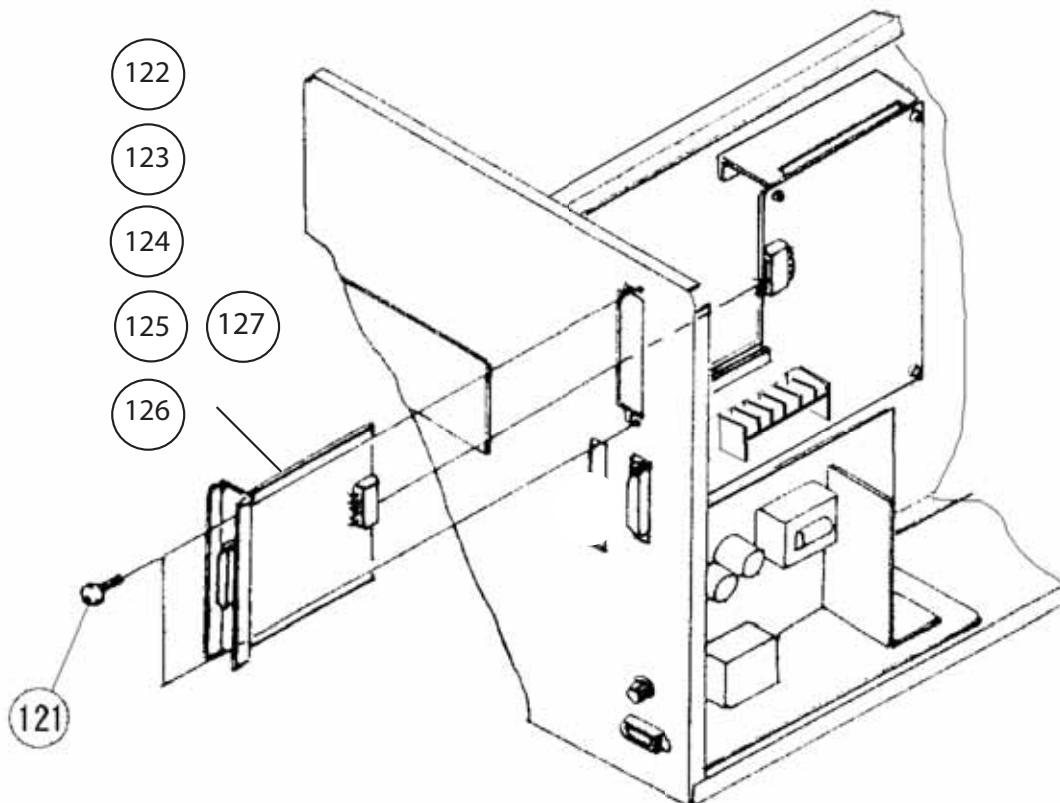
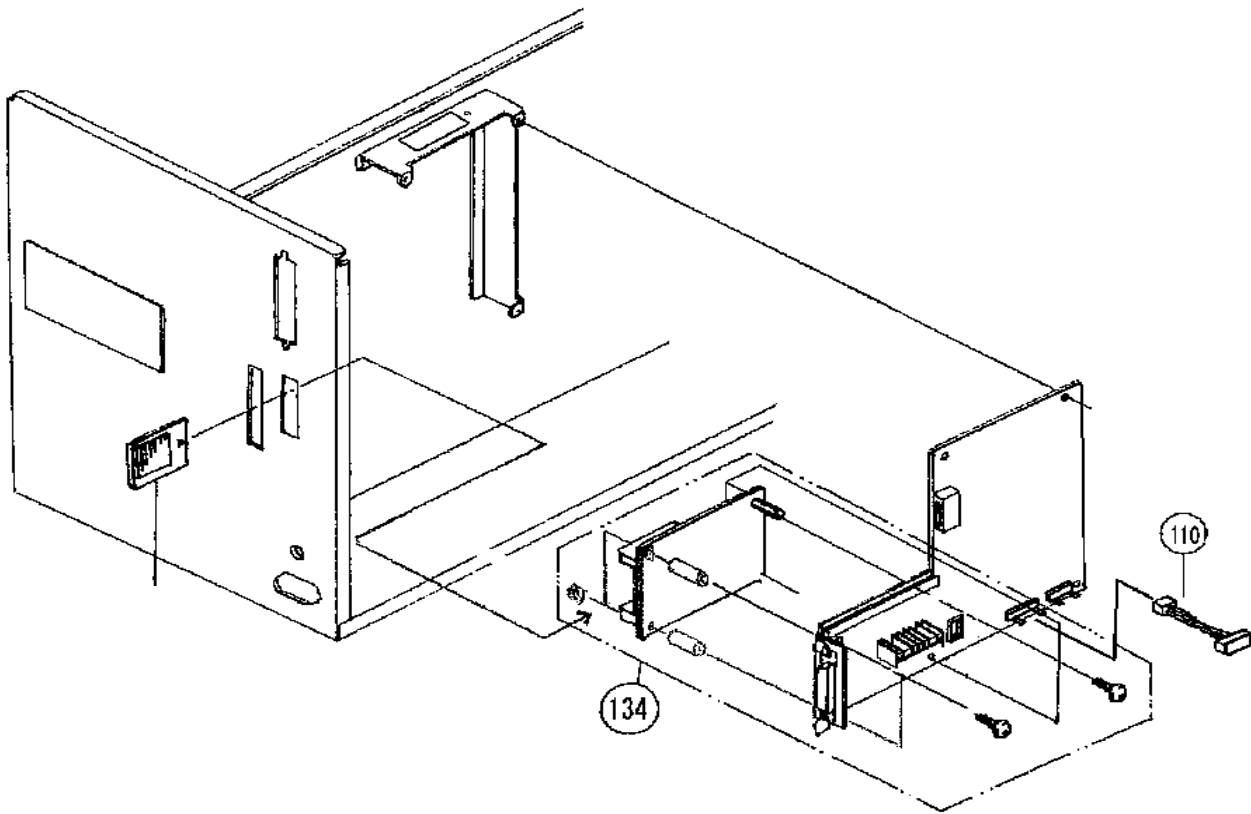
Base Cover Assembly



Base Cover Assembly



Base Cover Assembly





Base Cover Assembly

ITEM NO.	PART NO.	DESCRIPTION	QTY
1	P02513010	BASE FRAME	1
2	PT6680100	CASE LEG	4
3	PA3741000	FRAME BRACKET	1
4	MD4301022	PAN HEAD SCREW	3
5	PA3742500	FRAME BRACKET	1
6	MD4301022	PAN HEAD SCREW	2
7	PT9689000	MAGNET CATCHER	1
8	MD4301022	PAN HEAD SCREW	2
9	R00900020	COVER(FRONT)	1
10	MD4401022	PAN HEAD SCREW	4
11	PE1680200	PROTECTOR	1
12	PE6740300	DIP SW COVER	1
13	P02515000	CENTER FRAME	1
14	MD4401022	PAN HEAD SCREW	3
15	PA1775400	CIRCUIT BOARD BRACKET	2
16	MD4300622	PAN HEAD SCREW	7
17	P02516000	CENTER FRAME SUB(A)	1
18	MD4300622	PAN HEAD SCREW	2
19	R00901010	COVER(REAR)SET	1
20	MD4300622	PAN HEAD SCREW	7
22	P02517000	LID	1
23	PT9520100	NYLON RIVET	2
24	P02518010	COVER(LH)	1
25	MD4300822	PAN HEAD SCREW	2
26	P02519000	COVER(RH)	1
27	PT3681200	HINGE	2
28	MD4300822	PAN HEAD SCREW	8
29	PH2680000	WINDOW	1
30	NA1030022	FLAT WASHER	2

Base Cover Assembly

ITEM NO.	PART NO.	DESCRIPTION	QTY
31	MT1300522	HEX NUT	2
32	PE1680300	HANDLE	1
33	MH0300821	PAN HEAD P-TAP SCREW	2
34	P02520000	COVER(TOP)	1
35	MD4300822	PAN HEAD SCREW	2
36	R01106000	COVER(TOP SUB)	1
37	PT9689000	MAGNET	1
38	NA1030022	PLAIN WASHER	2
39	NB0030022	SPRING WASHER	2
40	MT1300522	HEX NUT	2
41	NA1030022	PLAIN WASHER	2
42	NB0030022	SPRING WASHER	2
43	MT1300522	HEX NUT	2
44	P02522000	COVER(FRONT)	1
45	PH1741000	COVER(FRONT)SUB	1
46	NA1030022	PLAIN WASHER	2
47	NB0030022	SPRING WASHER	2
48	MT1300522	HEX NUT	2
49	MD4401022	PAN HEAD SCREW	1
50	PB0740701	SHAFT(UNWIND)	1
51	MD4301422	PAN HEAD SCREW	1
52	MJ1400524	HEX W-POINT SCREW	1
53	PB2680700	SPACER	1
54	PA2680100	LABEL GUIDE PLATE	1
55	PE2680200	SPACER	1
56	PV3680000	PAPER GUIDE	1
57	MH0302021	PAN HEAD P-TAP SCREW	3
58	PE4080100	PAPER GUIDE	2
59	PT2016010	DRY METAL	4
60	PE4210100	GUIDE CORE	1



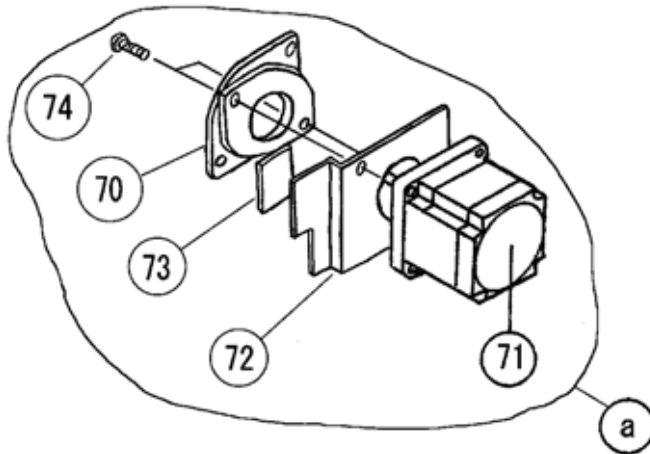
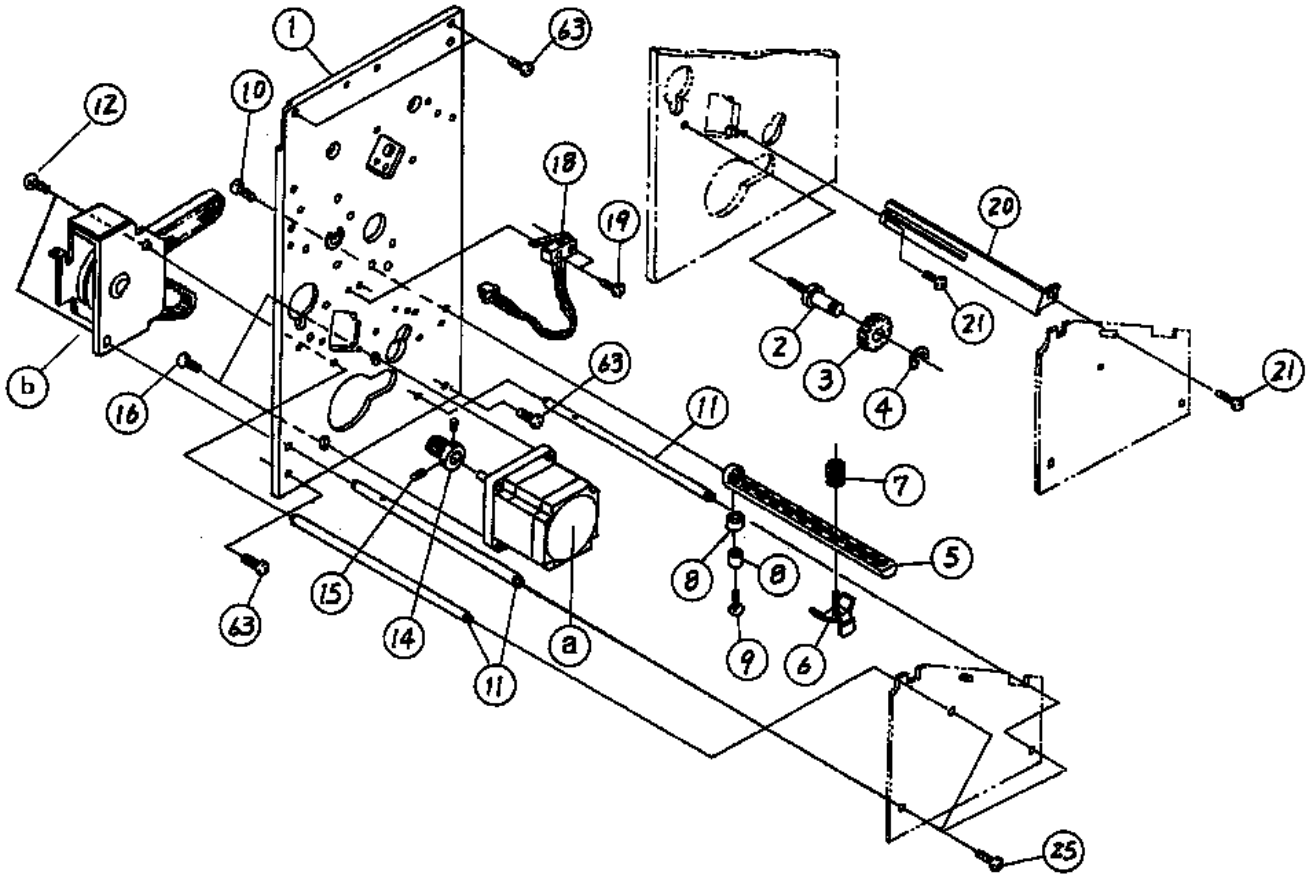
Base Cover Assembly

ITEM NO.	PART NO.	DESCRIPTION	QTY
61	MH0300821	PAN HEAD P-TAP SCREW	1
62	PT92100QY	O RUBBER RING	1
63	ND3160024	C-SNAP RING	1
64	PB2080400	ROLL STOPPER	1
65	PE4080200	GUIDE STOPPER	1
66	PA1210400	HOLD SPRING	1
67	MH1300821	FLAT HEAD P-TAP SCREW	2
68	KA500831A	POWER SUPPLY ASSY(115[V])	1
69	HD100321A	CERAMIC FUSE(250V/3.15A)	1
70	R00558000	HEAD POWER CORD SUB ASSY	1
71	MD4300822	PAN HEAD SCREW	3
73	PE6771001	MEMORY CARD COVER	1
74	PB5A20001	HEAD SCREW	1
80	RH1745500	POW SW SUB	1
81	PH1688300	LOCK PLATE	1
82	RH1745700	LCD CABLE SET	1
83	MD4200621	PAN HEAD SCREW	2
84	RJ2741000	KB PCB SA	1
85	MA0300621	PAN HEAD SCREW	2
86	PE6740400	DSW1 COVER	1
87	PA1774300	LID	1
88	PA6685400	NUT PLATE	1
89	MD3201221	PAN HEAD SCREW	2
92	P05142000	SUB PB BR. (A)	1
93	P05141000	SUB PB BR. (B)	1
94	MD4300622	PAN HEAD SCREW	6
96	PV9740400	BUSHING	1
97	MD4300622	PAN HEAD SCREW	2
98	PA6740200	SHIELD PLATE	1
99	PV9740500	BUSHING	1
100	RH1720400	KB CABLE SET	1

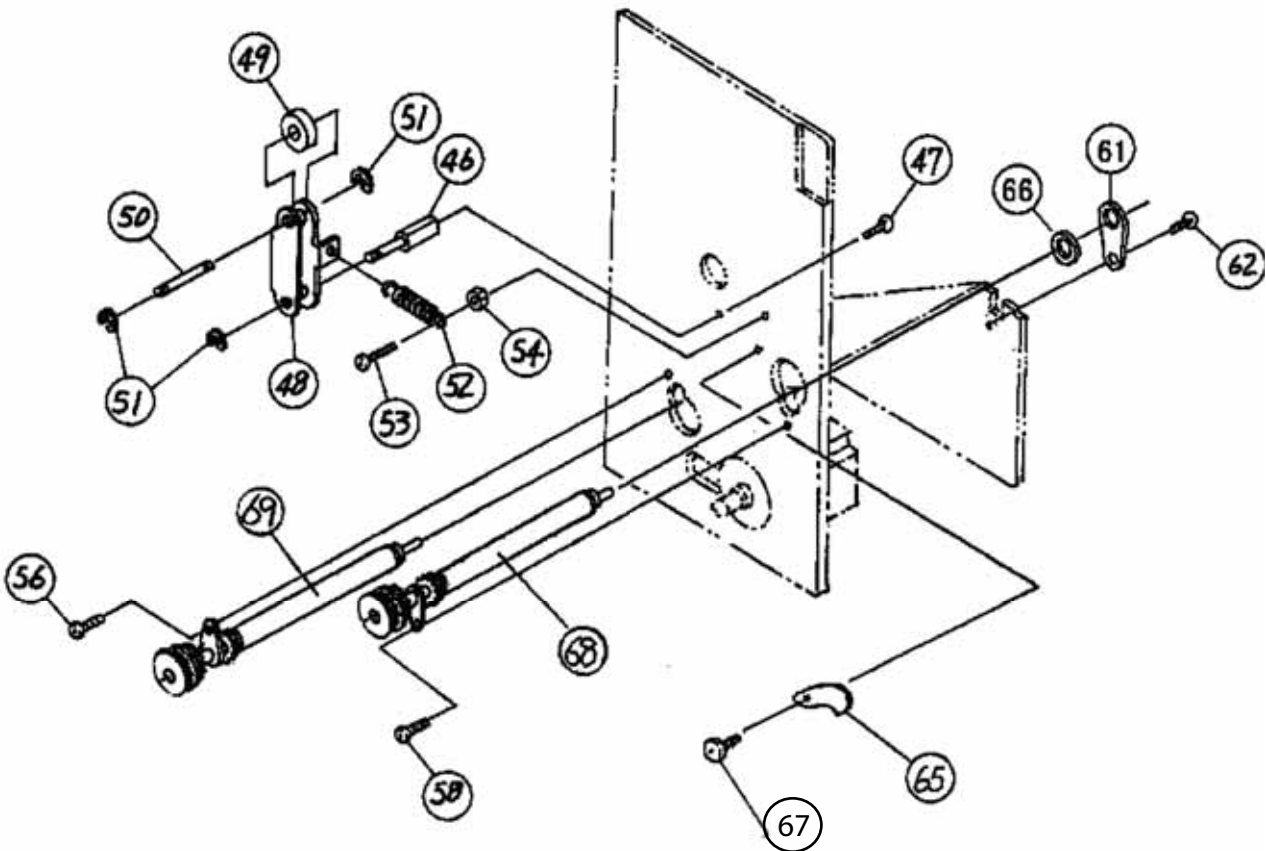
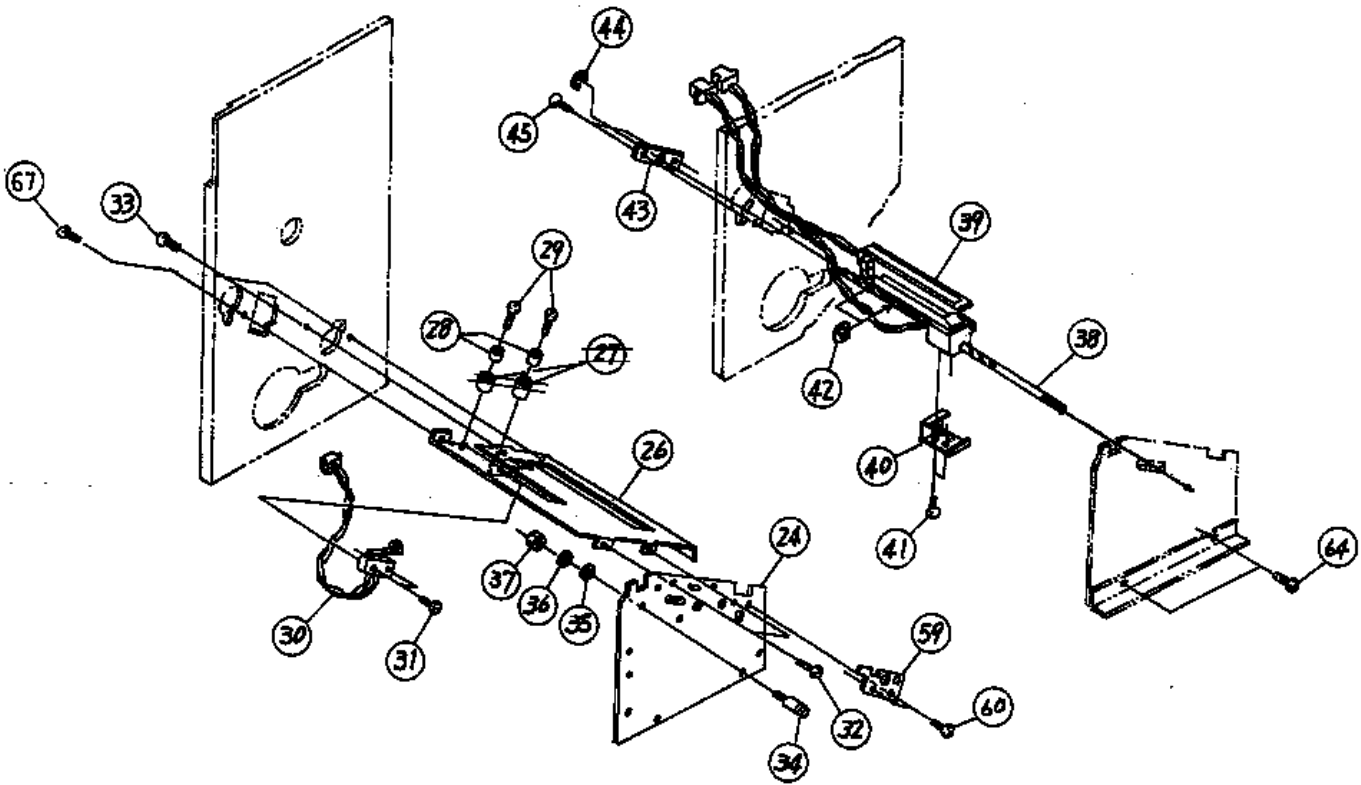
Base Cover Assembly

ITEM NO.	PART NO.	DESCRIPTION	QTY
101	P03670000	SWITCH PLATE	1
103	R02159000	MAIN PCB ASSY	1
105	R02164000	MEMORY PCB (STD. FLASH MEMORY)	1
106	PA3739900	CONNECTOR LOCK	1
110	RH1745201	DISPENSER RELAY CORD	1
111	R02165000	MEMORY PCB (4 MB UPGRADE OPTION)	1
113	R02161000	SUB PCB ASSY	1
121	MD3300622	PAN HEAD SCREW	2
122	WCL404070	IEEE1284 PARALLEL INTERFACE	1
123	WCL404051	RS232C SERIAL INTERFACE	1
124	11S000458	ETHERNET INTERFACE	1
125	11S000136	CX/TX INTERFACE	1
126	WCL405800	WIRELESS 802.11g INTERFACE	
127	WCL404060	USB INTERFACE	
134	RJ4770100	PCMCIA MEMORY OPTION (NO PCMCIA CARD)	1

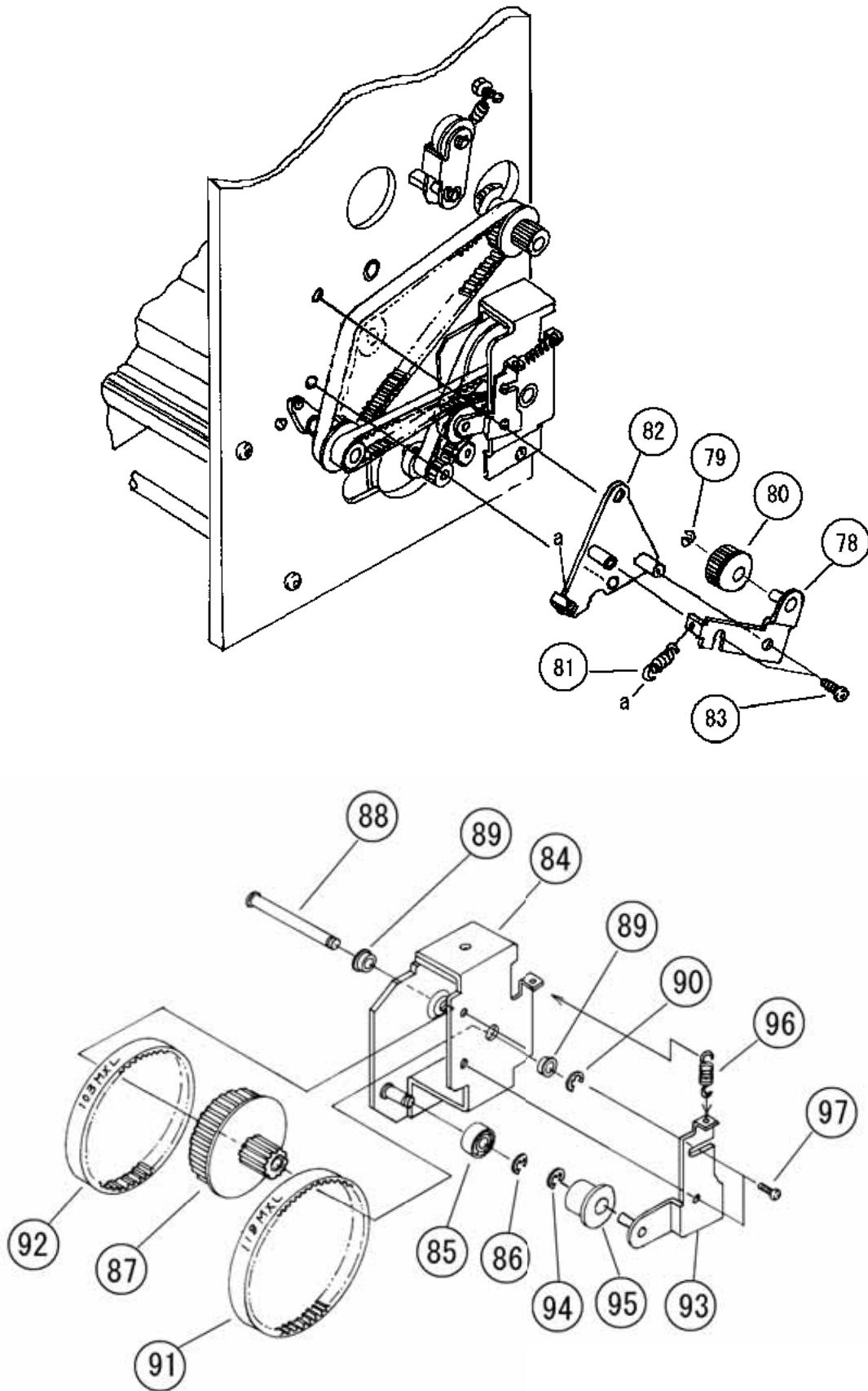
Frame Assembly



Frame Assembly



Frame Assembly



Frame Assembly

ITEM NO.	PART NO.	DESCRIPTION	QTY
1	PR1740110	ENGINE FRAME	1
2	PB0680000	IDLE GEAR POST	1
3	PR1680100	IDLER GEAR	1
4	ND0040030	E SNAP RING	1
5	P05166000	GUIDE SHAFT	1
6	PR3740501	SLIDE GUIDE	1
7	PB2680100	KNOB	1
8	PE1010400	GUIDE ROLLER(A)	2
9	MH0302021	PAN HEAD P-TAP SCREW	1
10	MH0301221	PAN HEAD P-TAP SCREW	1
11	PB0680400	GUIDE SHAFT	3
12	MD4401022	PAN HEAD SCREW	3
14	PL1770200	MOTOR PULLEY	1
15	MJ1400524	HEX SOCKET SET SCREW	2
16	MD4401222	PAN HEAD SCREW	2
18	RH1740500	HEAD OPEN SW CABLE SET (SEN5)	1
19	MD3201221	PAN HEAD SCREW	2
20	PA3740200	SENSOR GUIDE	1
21	MD4300822	PAN HEAD SCREW	2
24	PA1740200	SIDE FRAME	1
25	MD4401022	PAN HEAD SCREW	3
26	PR3740400	PAPER GUIDE	1
28	P05627000	COLLAR	2
29	MD4301222	PAN HEAD SCREW	2
30	RH1741300	PAPER END SW CODE SET (SEN7)	1



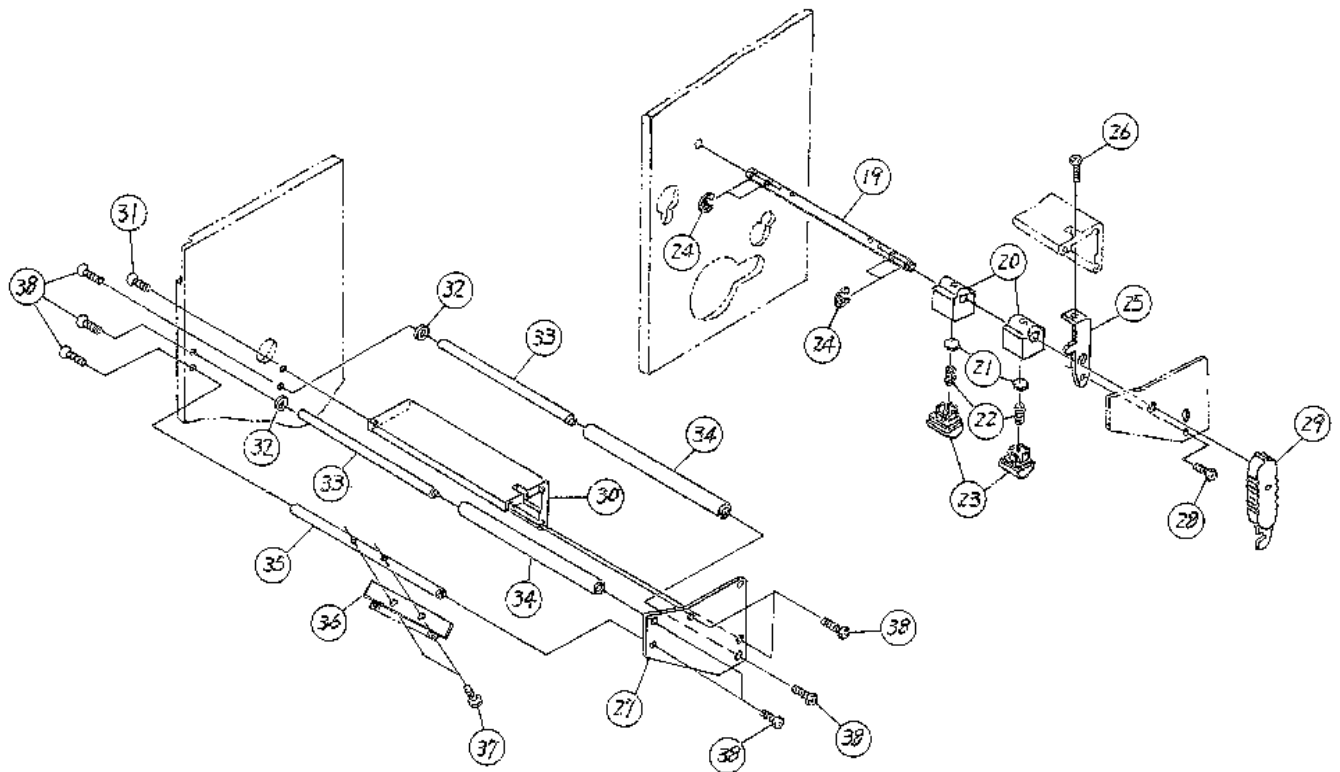
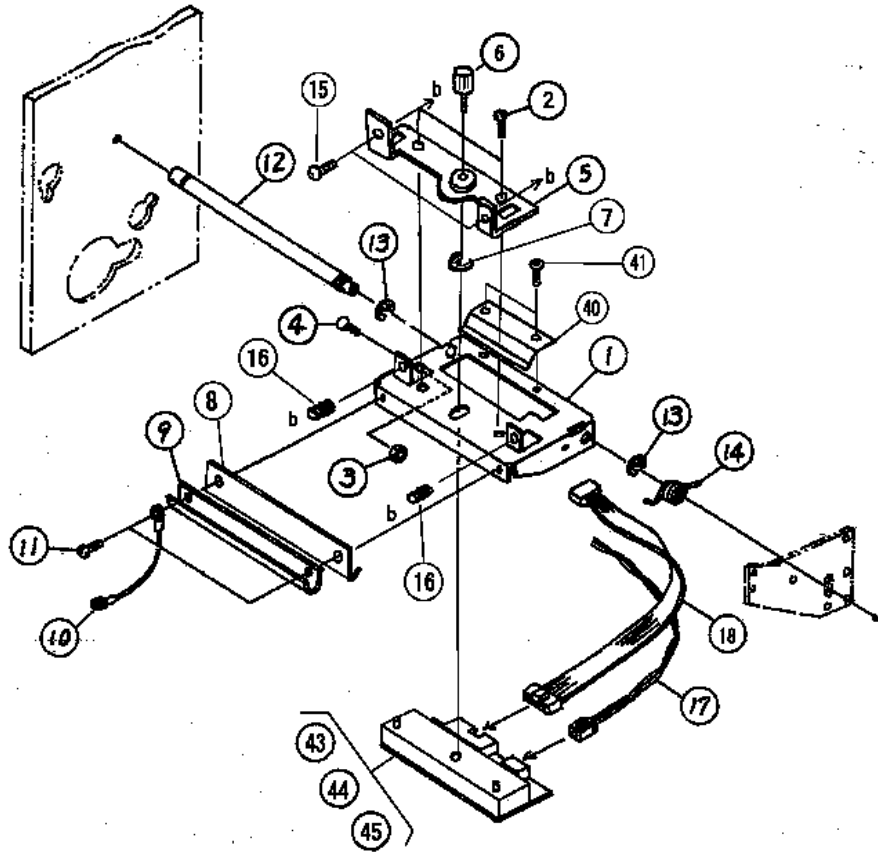
Frame Assembly

ITEM NO.	PART NO.	DESCRIPTION	QTY
31	MD3201221	PAN HEAD SCREW	2
32	MD4300622	PAN HEAD SCREW	2
33	MD4301022	PAN HEAD SCREW	2
34	PB0740101	POST (LATCH)	1
35	NA1040022	PLAIN WASHER	1
36	NB0040022	SPRING WASHER	1
37	MT1400722	HEX NUT	1
38	PB0740202	SHAFT (SENSOR)	1
39	PR7740200	PITCH SENSOR SUB	1
40	PA4740300	PLATE SPRING	1
41	MH0300821	PAN HEAD P-TAP SCREW	2
42	ND0040030	E SNAP RING	2
43	PA1740300	SENSOR BRACKET	1
44	ND0030030	E SNAP RING	1
45	MD4300822	PAN HEAD SCREW	2
46	PB0740801	POST (TENSION ROLLER)	1
47	MD4401621	PAN HEAD SCREW	1
48	PA3741800	TENSION BR.	1
49	PE3720100	TENSION ROLLER	1
50	PB0740900	SHAFT (TENSION ROLLER)	1
51	ND0040030	E SNAP RING	3
52	PC0740100	SPRING (TENSION)	1
53	MD4301422	PAN HEAD SCREW	1
54	MT1300522	HEX NUT	1
56	MD4300822	PAN HEAD SCREW	1
58	MD4300822	PAN HEAD SCREW	1
59	PA1741000	ADJUST PLATE	1
60	MD4401022	PAN HEAD SCREW	2

Frame Assembly

ITEM NO.	PART NO.	DESCRIPTION	QTY
61	PA1680200	BALL SUPPORTER CLAMP	1
62	MD0300622	PAN HEAD SCREW	1
63	MD4301422	PAN HEAD SCREW	4
64	MD4401022	PAN HEAD SCREW	2
65	PA1741400	COVER (PLATEN)	1
66	PT1112060	BALL SUPPORTER	1
67	MD4301222	PAN HEAD SCREW	1
68	R00907001	PLATEN ROLLER ASSY	1
69	R00908000	FEED ROLLER SUB	1
70	P02525000	RUBBER DAMPER	1
71	K00014000	STEPPING MOTOR	1
72	P02047000	HEAT PLATE	1
73	P02048000	HEAT PAD	1
74	MD4400821	PAN HEAD SCREW	2
76	PT8155064	TIMING BELT	1
78	R00909000	TENSION BR.(PULLEY)	1
79	ND0040030	E SNAP RING	1
80	PR1733200	PULLEY	1
81	P01101000	TENSION SPRING	1
82	R00910000	TENSION BR.	1
83	MD4300622	PAN HEAD SCREW	2
84	R00912000	PULLEY BR.	1
85	PR1732600	TENSION ROLLER	1
86	ND0040030	E SNAP RING	1
87	R00914000	PULLEY	1
88	P01100000	SHAFT(PULLEY)	1
89	PT1110060	BEARING	2
90	ND0040030	E SNAP RING	1
91	P02527000	TIMING BELT	1
92	P02528000	TIMING BELT	1
93	R00913000	TENSION BR. (ROLLER)	1
94	ND0040030	E SNAP RING	1
95	PE3720100	TENSION ROLLER	1
96	P01101000	TENSION SPRING	1
97	MD4300622	PAN HEAD SCREW	2

Head Assembly



Head Assembly

ITEM NO.	PART NO.	DESCRIPTION	QTY
1	P01065020	HEAD BRACKET	1
2	MD4300622	PAN HEAD SCREW	2
3	MT1300522	HEX NUT	1
4	MA0300821	PAN HEAD SCREW	1
5	P01068000	ADJUST PLATE	1
6	P02644010	SCREW(HEAD)	1
7	ND0030030	E SNAP RING	1
8	P02389000	PLATE (GUIDE)	1
9	PA3740504	PLATE (RIBBON ADJUST)	1
10	RH1741800	HEAD BRACKET EARTH CODE SET	1
11	MA2300622	BIND SCREW	2
12	PB0740300	SHAFT (HEAD)	1
13	ND0060030	E SNAP RING	2
14	PC2740101	SPRING (OPEN)	1
15	MA0301622	PAN HEAD SCREW	2
16	P02643000	SPRING(ADJUST)	2
17	R00558000	POWER & HEAD POWER CORD SUB ASSY	1
18	R01435000	THERMAL HEAD CORD SET	1
19	PB0740401	SHAFT (HEAD PRESSURE)	1
20	PE1740100	HEAD PRESSURE BR	2
21	PA0740100	PRESSURE PLATE	2
22	PC1740200	SPRING (HEAD)	2
23	PE1740200	HEAD PRESSURE PIN	2
24	ND0060030	E SNAP RING	4
25	PA3740600	ADJUST PLATE	1
26	MD4301422	PAN HEAD SCREW	1
27	PA1740500	HEAD FRAME	1
28	MD4300622	PAN HEAD SCREW	1
29	PR2740100	LATCH HANDLE	1
30	PD1740100	STAY	1

Head Assembly

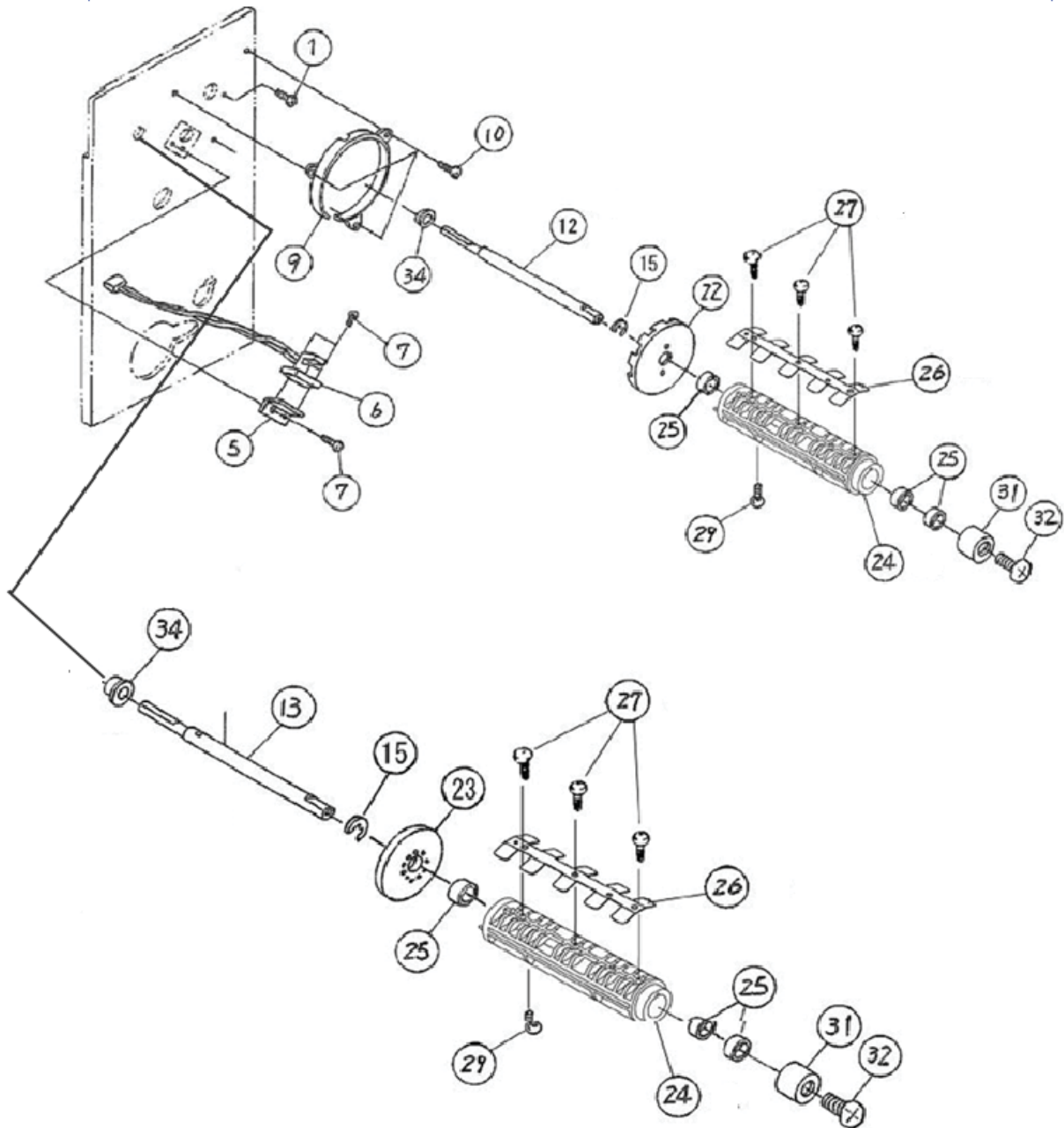
ITEM NO.	PART NO.	DESCRIPTION	QTY
31	MD4401621	PAN HEAD SCREW	2
32	PT9740300	POLY SLIDER	2
33	PB0680400	GUIDE SHAFT	2
34	PR1740400	ROLLER (8*12*144)	2
35	PB0740500	SHAFT (BRUSH)	1
36	PR1340500	ANTI STATIC BRUSH	1
37	MA0300622	PAN HEAD SCREW	2
38	MD4401022	PAN HEAD SCREW	8
40	P02423000	COVER(CABLE)	1
41	MD4300622	PAN HEAD SCREW	2
43	WWM845800	PRINT HEAD 203 DPI	1
44	WWM845810	PRINT HEAD 305 DPI	1
45	WWM845820	PRINT HEAD 609 DPI	1

NOTE: Be certain to use the correct resolution printhead.

Ribbon Assembly

Visually check your printer. SATO changed the design after serial number 311XXXXX. We upgraded many printers. Some of these parts will not work on serial number 312XXXXX or above or on units that we have upgraded.

PLEASE NOTE: Some of these parts may no longer be available. Contact SATO Customer Care at 704-644-1657 for availability. Parts shown below are in the list on page 23.

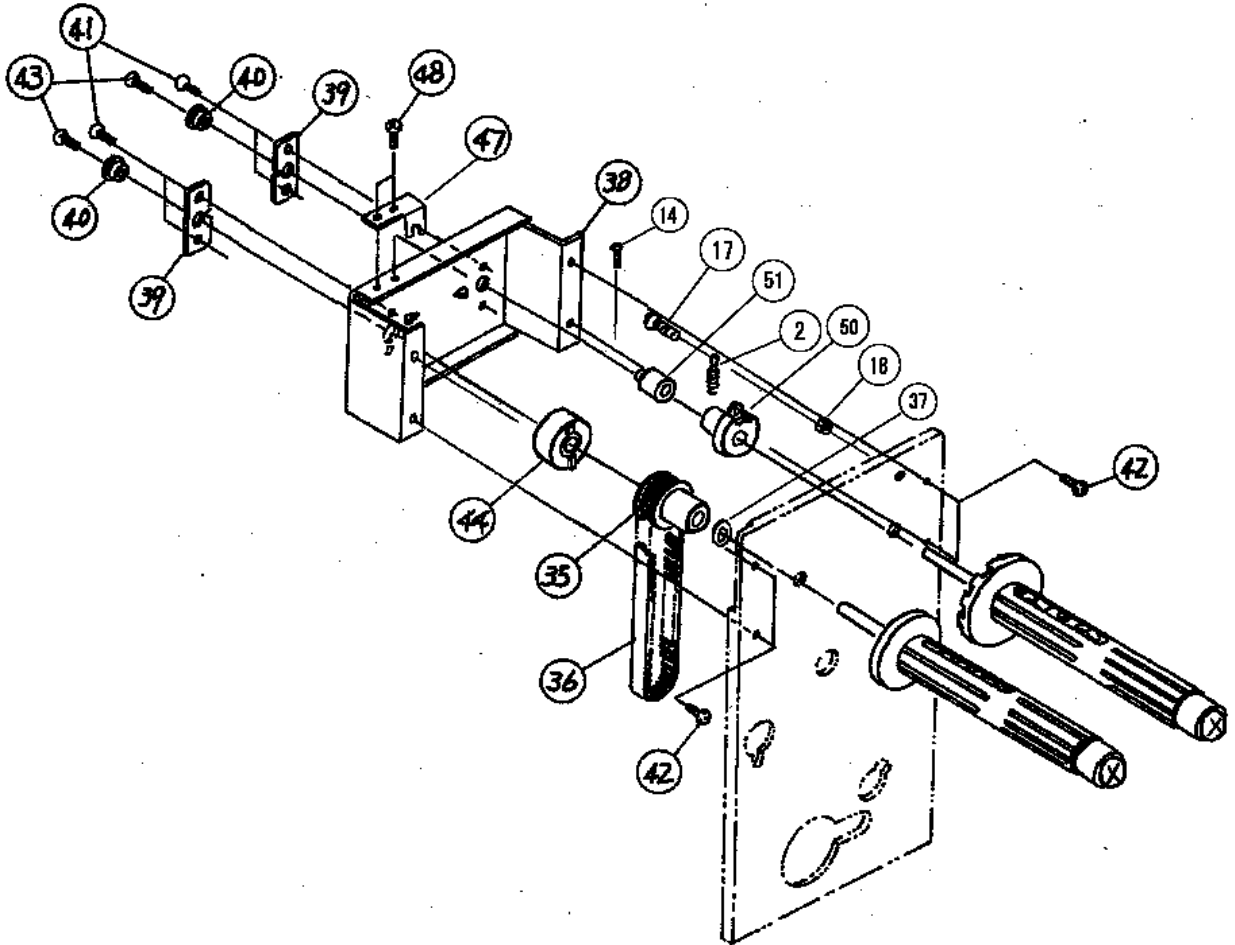


Ribbon Assembly

Visually check your printer. SATO changed the design after serial number 311XXXXX. We upgraded many printers. Some of these parts will not work on serial number 312XXXXX or above or on units that we have upgraded.

PLEASE NOTE: Some of these parts may no longer be available. Contact SATO Customer Care at 704-644-1657 for availability.

Parts shown on this drawing are in the list on page 23.



Ribbon Assembly

Visually check the printer. SATO changed the design after serial # 311XXXXX and upgraded many printers. Some of these parts will not work on SN 312XXXXX or above or on upgraded units. Contact SATO for help.

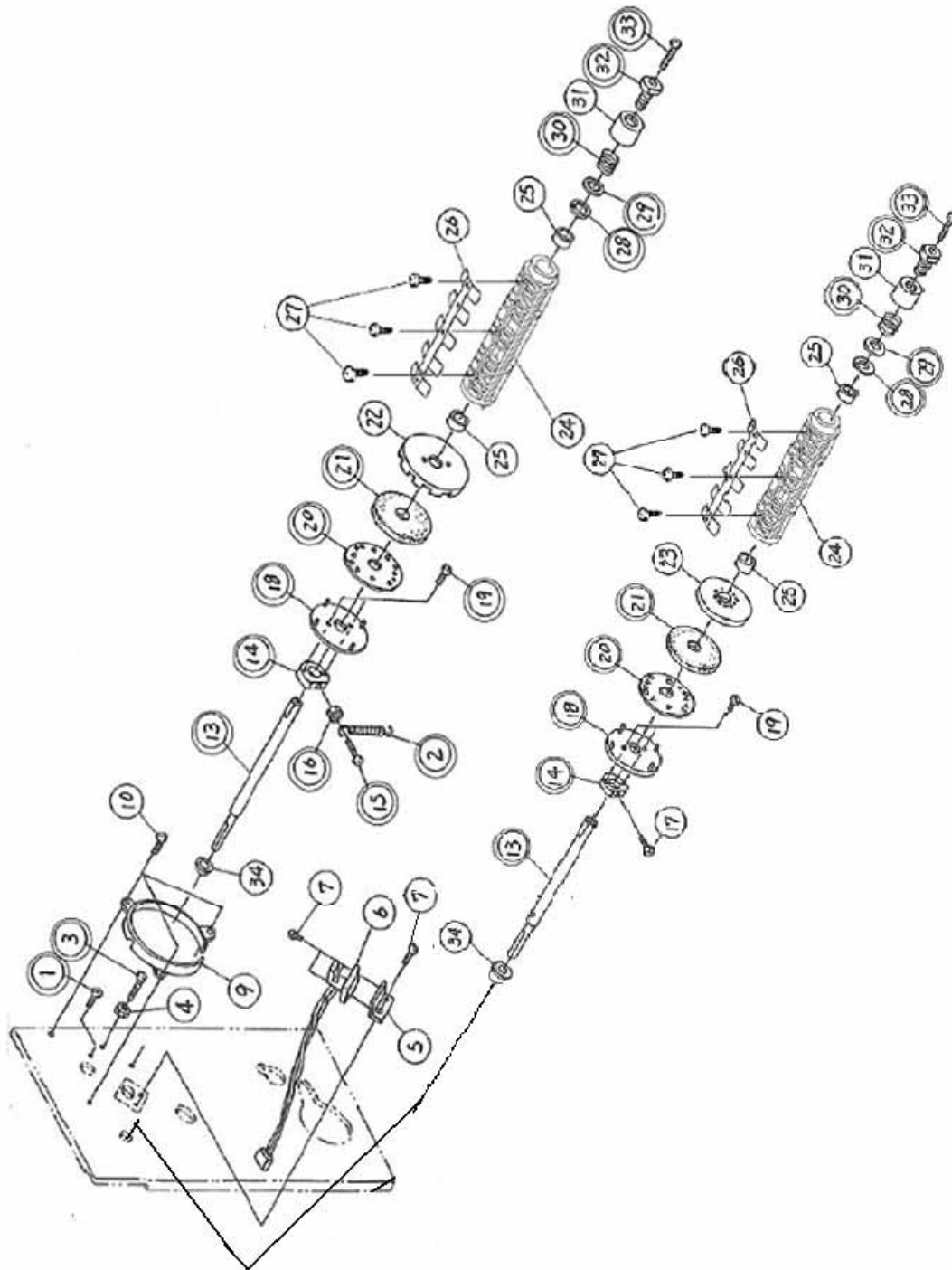
ITEM NO.	PART NO.	DESCRIPTION	QTY
1	MD4301022	PAN HEAD SCREW	1
2	P02523000	SPRING (BACK)	1
5	PA3730200	SENSOR BR (RIBBON)	1
6	RH1740400	RIBBON SENSOR CABLE SET (SEN4)	1
7	MA0300622	PAN HEAD SCREW	3
9	PE6720100	DISK PLATE COVER	1
10	MD4300822	PAN HEAD SCREW	3
13	P01832000	SHAFT (RIBBON)	2
14	MA0200821	PAN HEAD SCREW	1
15	ND0080022	E SNAP RING	2
17	MD4301622	PAN HEAD SCREW	1
18	MT1300522	HEX NUT	1
22	PE7720100	DISK PLATE(A)	1
23	PE1681100	GUIDE PLATE(B)	1
24	P00588000	RIBBON BOSS	2
25	PE2720100	COLLAR (10*12*10)	6
29	MA0300421	PAN HEAD SCREW	2
31	PE2730100	STOPPER COLLAR	2
32	M00001000	BUTTON CAP SCREW	2
34	PT1112080	BALL SUPPORTER	2
35	P00166000	ONE-WAY LIMITER	1
36	P02524000	TIMING BELT	1
37	PT9740300	POLY SLIDER	1
38	PA3740900	RIBBON FRAME	1
39	PA1731000	ADJUST PLATE	2
40	PT1112080	BALL SUPPORTER	2
41	MD4300622	PAN HEAD SCREW	4
42	MD4401222	PAN HEAD SCREW	4
43	MD4401022	PAN HEAD SCREW	2
44	P00170000	ONE-WAY LIMITER	1
47	P00168000	STOPPER BRACKET	1
48	MD4300622	PAN HEAD SCREW	2
50	P02376000	BOSS (T. LIMITER)	1
51	P00180000	TORQUE LIMITER	1

Parts in this list are only for the drawing on pages 21 and 22.

Ribbon Assembly

For parts for serial number 312XXXXX or above, or for units that were upgraded, contact SATO Customer Care for assistance, at 704-644-1657.

Parts shown on this page are only for the list on page 25.



Ribbon Assembly

For parts for serial number 312XXXXX or above, or for units that were upgraded, contact SATO Customer Care for any assistance at 704-644-1657.

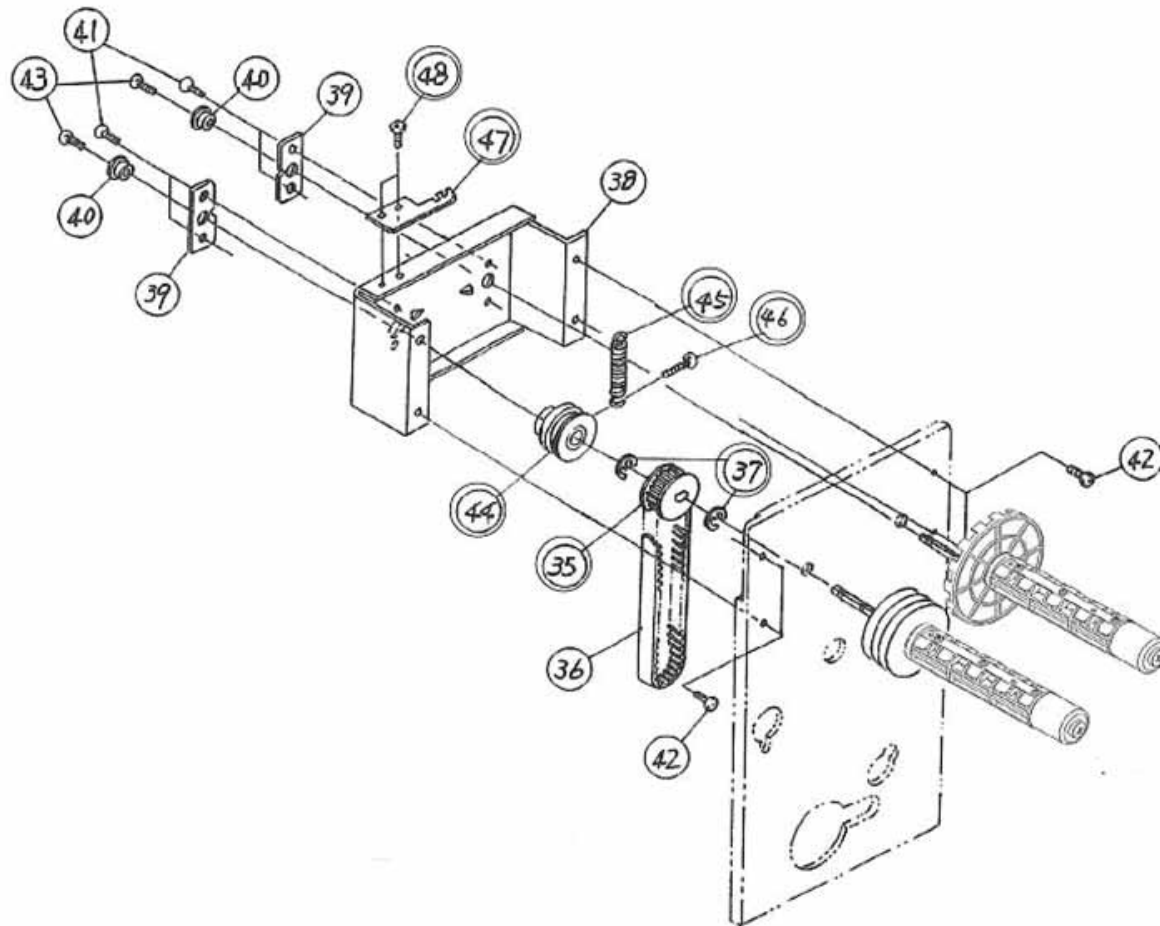
Parts listed below go with the drawing on page 24.

ITEM NO.	PART NO.	DESCRIPTION	QTY
1	MD4300622	PAN HEAD SCREW	1
2	PC0740200	SPRING (BACK)	1
3	MA1300822	FLAT HEAD SCREW	1
4	MT1300522	HEXAGON NUT	1
5	PA3730200	RIBBON SENSOR BRACKET	1
6	RH1740400	RIBBON SENSOR	1
7	MA0300622	PAN HEAD SCREW	1
9	PE6720100	DISK PLATE COVER	2
10	MD4300822	PAN HEAD SCREW	1
13	PB0740602	RIBBON SHAFT	1
14	PE4720200	PLATE HOLDER BOSS	1
15	MA0302552	PAN HEAD SCREW	1
16	MT1300522	HEXAGON NUT	1
17	MA0301821	PAN HEAD SCREW	1
18	PA0730100	GUIDE PLATE	1
19	MH1250621	FLAT HEAD P TIGHT SCREW	2
20	PA073020-0	HOLD PLATE	2
21	PA0680300	RIBBON FRICTION WASHER	2
22	PE7720100	DISK PLATE	1
23	PE1681100	GUIDE PLATE	1
24	PR1730900	RIBBON BOSS (WITH TWO COLLARS #25)	2
25	PE2720100	COLLAR (ALSO INCLUDED WITH PART #24)	4
26	PE00626000	SPRING - RIBBON BOSS	2
27	MH0300521	PAN HEAD P TIGHT SCREW	6
28	PT2301020	DRY METAL WASHER	2
29	PA0680400	DISK	2
30	PC1730100	SPRING - RIBBON	2
31	PE2730100	STOPPER COLLAR	2
32	PB5730100	ADJUST SCREW	2
33	MA0303022	PAN HEAD SCREW	2
34	PT1112080	SUPPORTER	2

Ribbon Assembly

This drawing shows parts for serial number 312XXXXX and above. The parts are also for units that were upgraded. For any assistance, contact SATO Customer Care at 704-644-1657.

The parts shown in the drawing below are in the list on page 28.



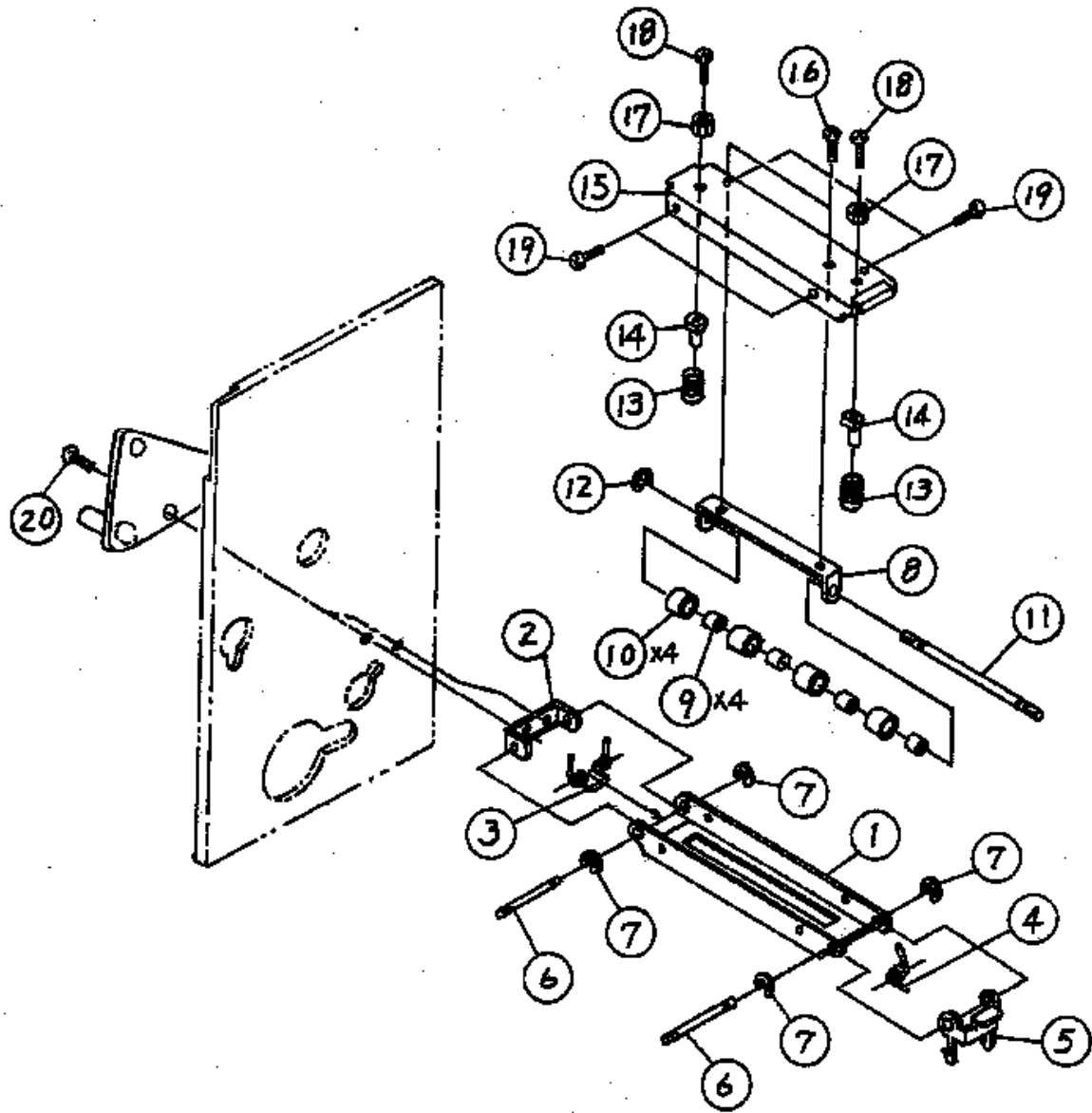
Ribbon Assembly

Visually check your printer. These parts are only for printers with serial number 312XXXXX and above, or for those printers that have been upgraded. For any assistance, please contact SATO Customer Care at 704-644-1657.

Parts in the below list correspond with the parts in the drawing on page 27.

ITEM NO.	PART NO.	DESCRIPTION	QTY
35	PR1720400	PULLEY	1
36	PT8165064	TIMING BELT	1
37	ND0060030	E-RING	1
38	PA3740900	RIBBON FRAME	1
39	PA1731000	ADJUST PLATE	1
40	PT1112080	SUPPORTER	1
41	MD4300622	PAN HEAD SCREW	1
42	MA0200821	PAN HEAD SCREW	2
43	MD4401022	PAN HEAD SCREW	1
44	PR1770100	PULLEY	1
45	PC0740200	SPRING (BACK)	1
46	MH0300821	PAN HEAD SCREW	1
47	PA2771300	SPRING BRACKET	1

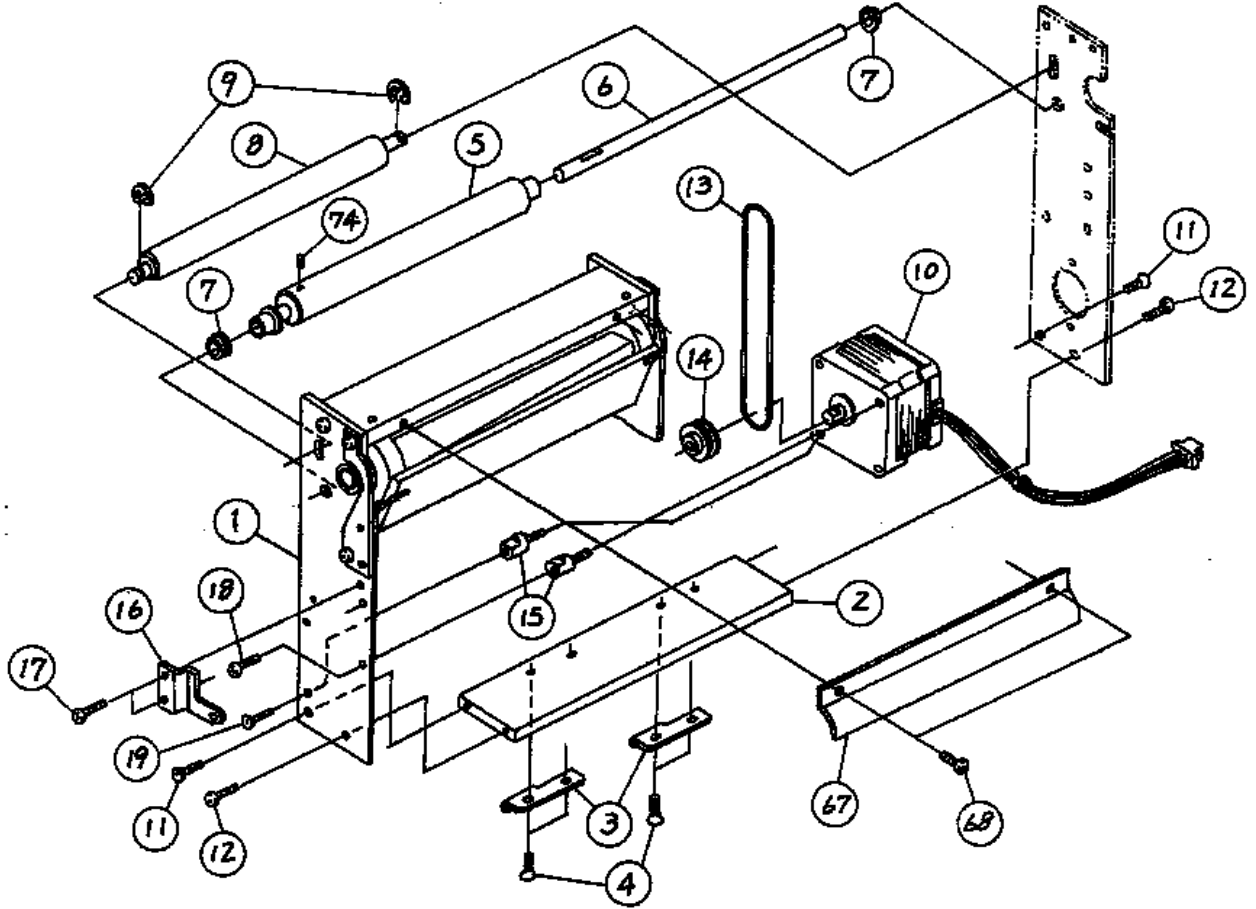
Feed Roller Assembly



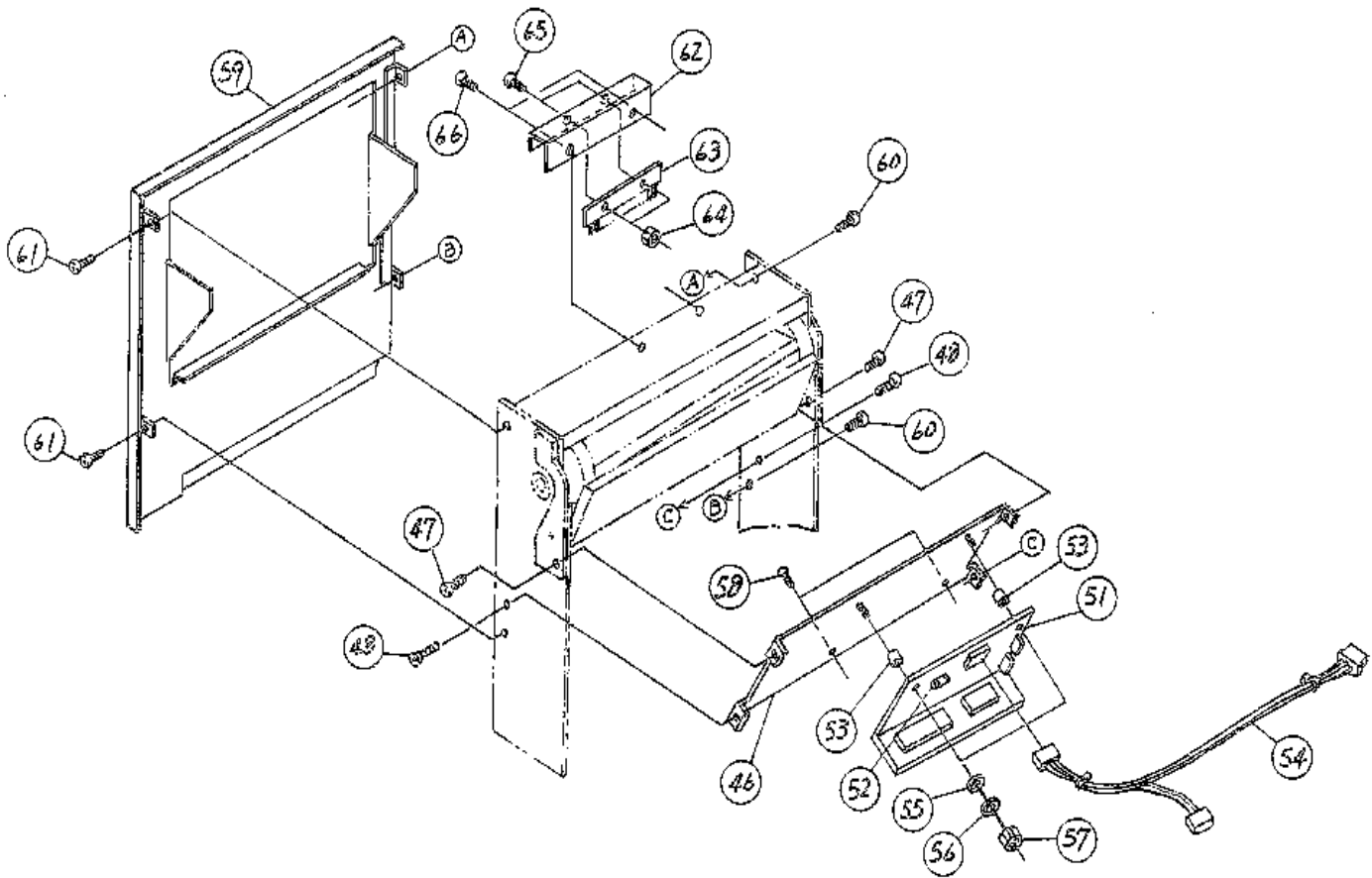
Feed Roller Assembly

ITEM NO.	PART NO.	DESCRIPTION	QTY
1	PA3742201	PAPER LID (BOTTOM)	1
2	PA3742001	LID BRACKET	1
3	PC2740200	SPRING (OPEN)	1
4	PC2740300	SPRING (LATCH)	1
5	PA3742100	LATCH HANDLE	1
6	PB0741100	SHAFT (LID)	2
7	ND0020030	E SNAP RING	4
8	PA3741900	ROLLER BRACKET	1
9	PE3720500	ROLLER	4
10	PE3720200	ROLLER	4
11	PB0741000	SHAFT (PRESSURE ROLLER)	1
12	ND0040030	E SNAP RING	1
13	PC1740401	SPRING (PRESSURE)	2
14	PE2730300	STOPPER COLLAR	2
15	PR4740300	PAPER LID (TOP)	1
16	MD4300622	PAN HEAD SCREW	2
17	MT1300522	HEX NUT	2
18	MA0301022	PAN HEAD SCREW	2
19	MD4300622	PAN HEAD SCREW	4
20	MD4301022	PAN HEAD SCREW	2

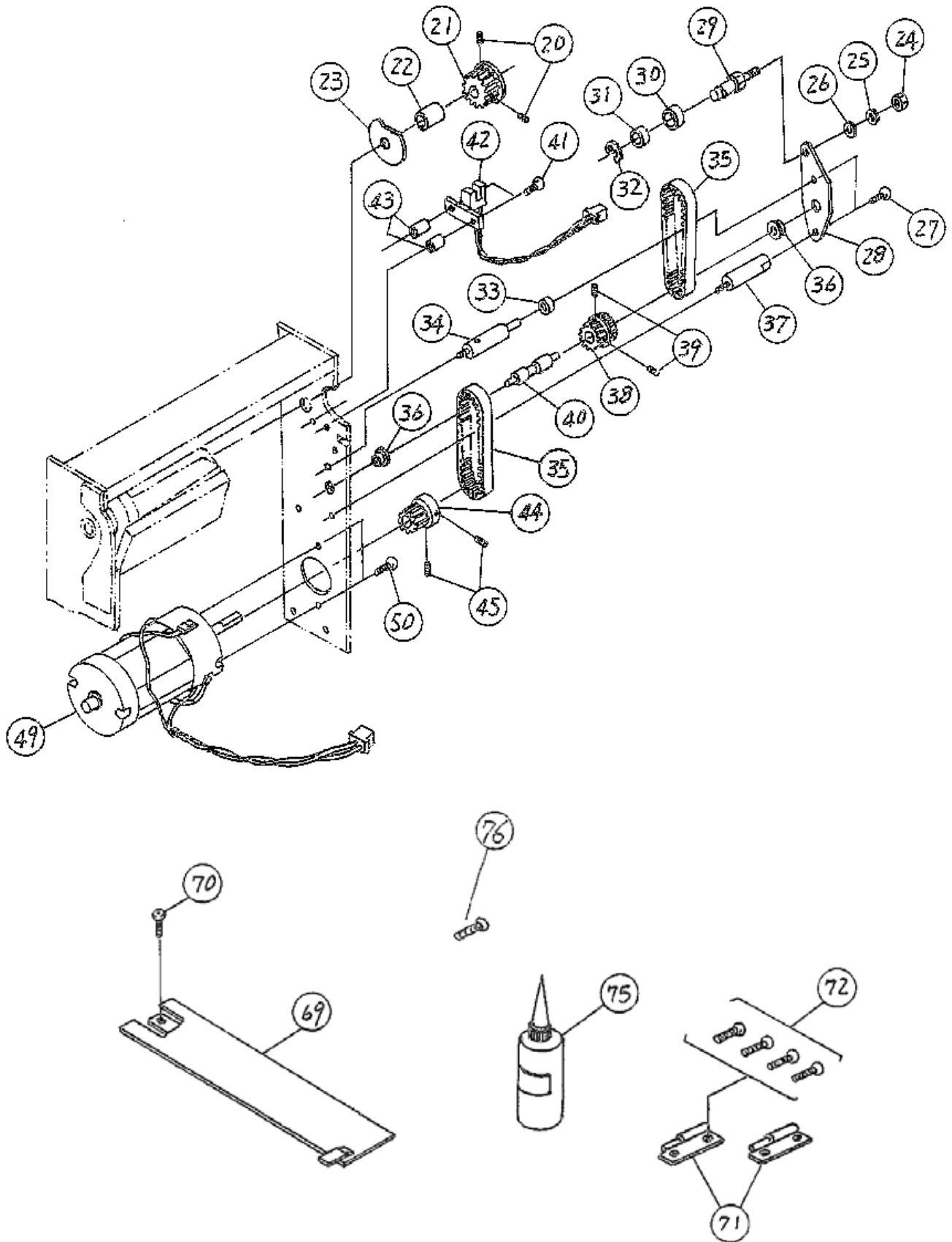
Cutter Unit (Option)



Cutter Unit (Option)



Cutter Unit (Option)



Cutter Unit (Option)

ITEM NO.	PART NO.	DESCRIPTION	QTY
1	PR4680600	CUTTER UNIT	1
2	PD1680301	STAY	1
3	PT3000100	HINGE	2
4	MA1300822	FLAT HEAD SCREW	4
5	PB3680700	FEED ROLLER	1
6	PB0682500	FEED ROLLER SHAFT	1
7	PT1108050	BALL SUPPORTER	2
8	PB3680200	DISPENSE ROLLER	1
9	ND0030030	E SNAP RING	2
10	RB0680300	STEPPER MOTOR ASSY	1
11	MA1400822	FLAT HEAD SCREW	2
12	MD4401022	PAN HEAD SCREW	2
13	PT9680300	O-R BELT	1
14	PE8680400	MOTOR PULLEY	1
15	PB0682600	MOTOR POST	2
16	PA3684600	CUTTER BRACKET	1
17	MD4300622	PAN HEAD SCREW	2
18	MD4300822	PAN HEAD SCREW	1
19	MA1300822	FLAT HEAD SCREW	1
20	MJ1300424	HEX SOCKET SET SCREW	2
21	PR1691401	CUTTER PULLEY	1
22	PE3690701	SPACER	1
23	PA0680701	SENSOR SLIT	1
24	MT1300522	HEX NUT	1
25	NB0030022	SPRING WASHER	1
26	NA1030022	PLAIN WASHER	1
27	MD4300822	PAN HEAD SCREW	2
28	PA1690000	IDLE GEAR BRACKET	1
29	PB0690300	ROLLER SHAFT	1
30	PE3690001	TENSION ROLLER	1

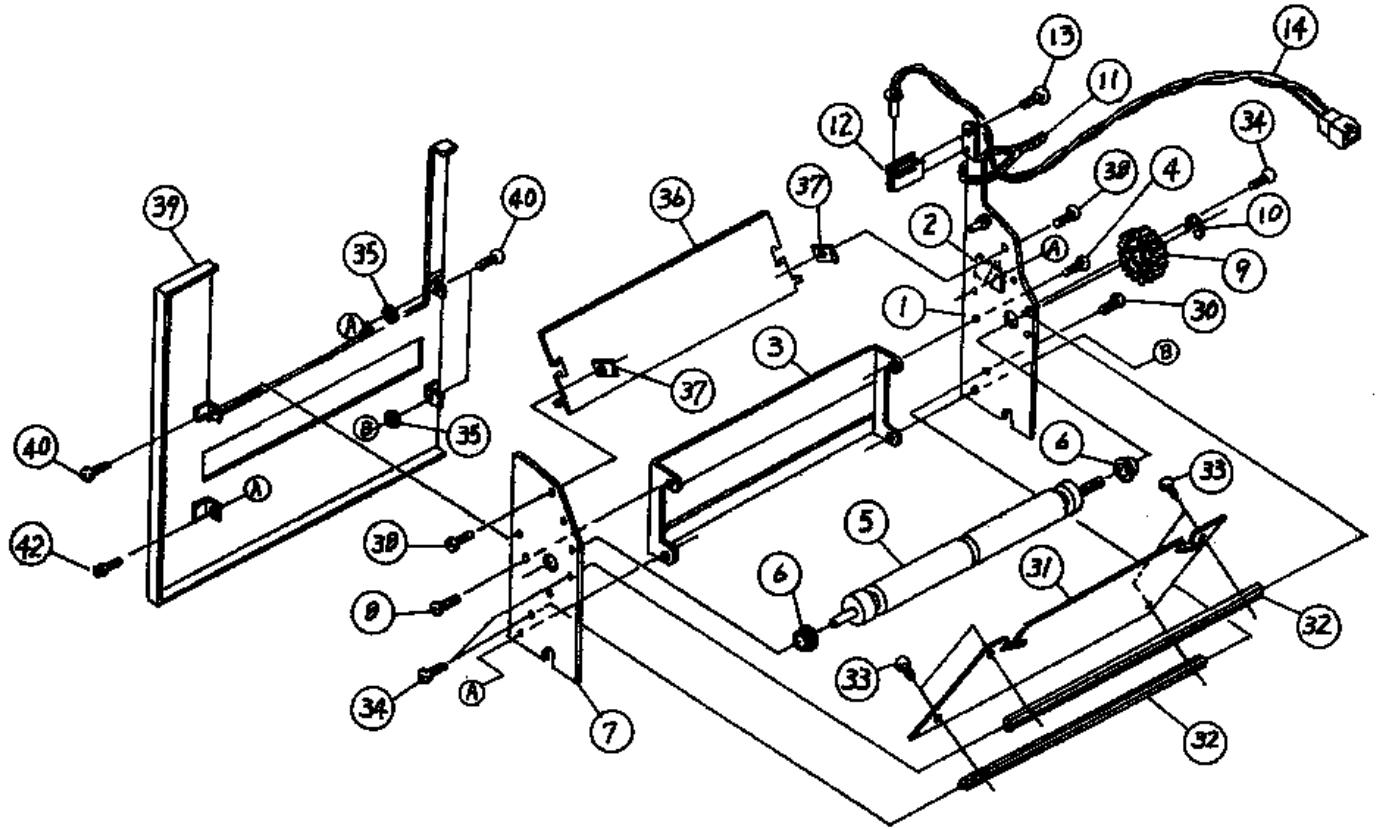
Cutter Unit (Option)

NO.	CODE	DESCRIPTION	QTY
31	PT2006008	DRY METAL BUSH	1
32	ND0050030	E SNAP RING	1
33	PT2005008	DRY METAL	1
34	PB0686500	IDLE BR. SHAFT (B)	1
35	PT9690600	TIMING BELT	2
36	PT1107030	BALL SUPPORTER	2
37	PB0682400	IDLE BRACKET SHAFT	1
38	PR1691501	IDLE PULLEY	1
39	MJ1300424	HEX SOCKET SET SCREW	2
40	PB0682300	IDLE PULLEY SHAFT	1
41	MD3301222	PAN HEAD SCREW	2
42	RF0680501	SENSOR SUB ASSY	1
43	PE2680600	SPACER	2
44	PR1691601	MOTOR PULLEY	1
45	MJ1300424	HEX SOCKET SET SCREW	2
46	PA3681400	GUIDE PLATE	1
47	MD4300822	PAN HEAD SCREW	2
48	MA1300822	FLAT HEAD SCREW	2
49	RB0680200	DC MOTOR ASSY	1
50	MD4300822	PAN HEAD SCREW	2
51	RJ1683601	CUT PCB ASSY	1
52	HD200031A	FUSE(3A)	1
53	PE2680900	SPACER	2
54	RH1745101	CUTTER CORD SET	1
55	NA1030022	PLAIN WASHER	2
56	NB0030022	SPRING WASHER	2
57	MT1300522	HEX NUT	2
58	MA1300822	FLAT HEAD SCREW	2
59	P02563000	CUTTER COVER	1
60	MA1300822	FLAT HEAD SCREW	2

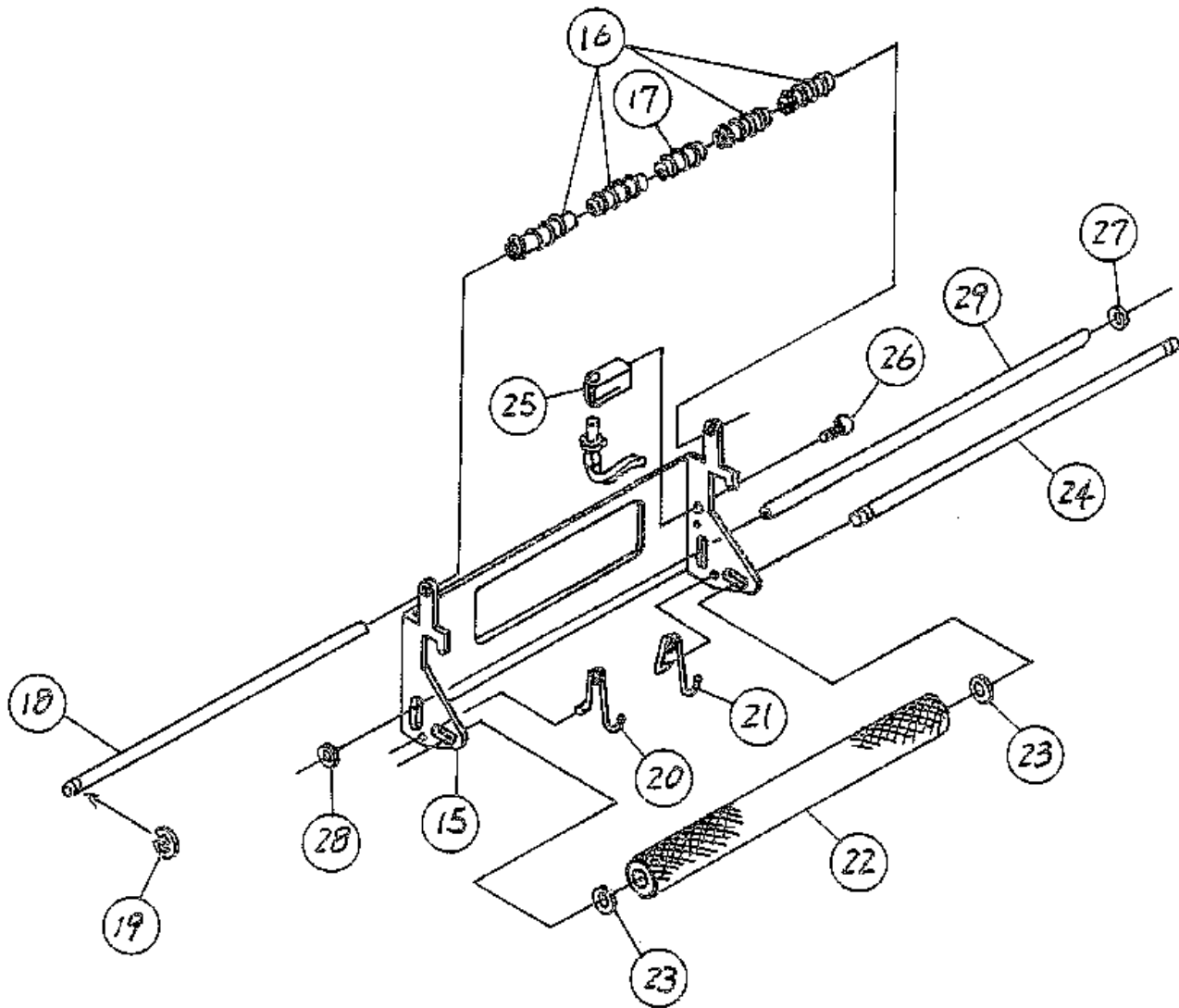
Cutter Unit (Option)

ITEM NO.	PART NO.	DESCRIPTION	QTY
61	MD4300622	PAN HEAD SCREW	2
62	PA3684700	BRUSH BRACKET	1
63	PR1340500	ANTI STATIC BRUSH	1
64	MT1250422	HEX NUT	2
65	MA1250622	FLAT HEAD SCREW	2
66	MD0300622	PAN HEAD SCREW	2
67	PA3683600	CUTTER PROTECT	1
68	MD4300822	PAN HEAD SCREW	2
69	P02562000	CENTER FRAME SUB (B)	1
70	MD4300622	PAN HEAD SCREW	1
71	PT3000100	HINGE	2
72	MD4300822	PAN HEAD SCREW	4
74	MJ1300424	HEX SOCKET SET SCREW	1
75	QD9480100	CUTTER OIL (ONLY FOR CUTTER)	1
76	MD4401022	PAN HEAD SCREW	1

Dispenser Unit (Option)



Dispenser Unit (Option)





Dispenser Unit (Option)

ITEM NO.	PART NO.	DESCRIPTION	QTY
1	PR1680500	FRAME(L)	1
2	JG100191A	WIRE STICKER	1
3	PA3685100	CUTTER PLATE	1
4	MD0300622	PAN HEAD SCREW	1
5	PR0681900	FEED ROLLER	1
6	PE2680400	BUSH	2
7	PR1681800	FRAME(R)	1
8	MD0300622	PAN HEAD SCREW	1
9	PE6680300	FEED ROLLER GEAR	1
10	ND0040030	E SNAP RING	1
11	JG100011A	TY-RAP	1
12	PE1570300	DEMAND SENSOR BRACKET	1
13	MH0250621	PAN HEAD P-TAP SCREW	1
14	RH1681100	DISPENSE SENSOR CORD SET	1
15	PA3685000	DISPENSE ROLLER BRACKET	1
16	PE1010201	DEMAND ROLLER	4
17	PV0681100	DISPENSE ROLLER	1
18	PB0685300	DISPENSE SAHFT	1
19	ND0020030	E SNAP RING	1
20	PC2680102	SPRING(R)	1
21	PC2680101	SPRING(L)	1
22	PB3680101	PRESSURE ROLLER	1
23	PT2005006	DRY METAL	2
24	PB0682201	PRESSURE ROLLER SHAFT	1
25	PE1570300	DEMAND SENSOR BRACKET	1
26	MH0250621	PAN HEAD P-TAP SCREW	1
27	PB2681701	SPACER(B)	1
28	PA0680601	SPACER(A)	1
29	PB0682000	GUIDE SHAFT	1
30	MD0301022	PAN HEAD SCREW	1

Dispenser Unit (Option)

ITEM NO.	PART NO.	DESCRIPTION	QTY
31	PA3684900	PAPER GUIDE	1
32	PB1680100	STAY	2
33	MA1250622	FLAT HEAD SCREW	4
34	MA1300622	FLAT HEAD SCREW	3
35	PA0681300	SPACER	2
36	PA2681900	DISPENSE PLATE	1
37	PA1680400	NUT PLATE	2
38	MA1300622	FLAT HEAD SCREW	2
39	P02561000	DISPENSE COVER	1
40	MD4300822	PAN HEAD SCREW	3
42	MD4300622	PAN HEAD SCREW	1
44	MD4401022	PAN HEAD SCREW	1