

# **WAGO** **DCS & Labeling Worldwide**

## **M5900RvE PRINTER**



## **PARTS LIST**

**SATO America, Inc.**  
**10350A Nations Ford Road**  
**Charlotte, NC 28273**  
**Main Phone: 704.644.1650**  
**Technical Support Hotline: 704.644.1660**  
**Technical Support Fax: 704.644.1662**  
**E-Mail: [satosales@satoamerica.com](mailto:satosales@satoamerica.com)**  
**[www.satoamerica.com](http://www.satoamerica.com)**

# FRAME ASSEMBLY WITH DRIVE TRAIN

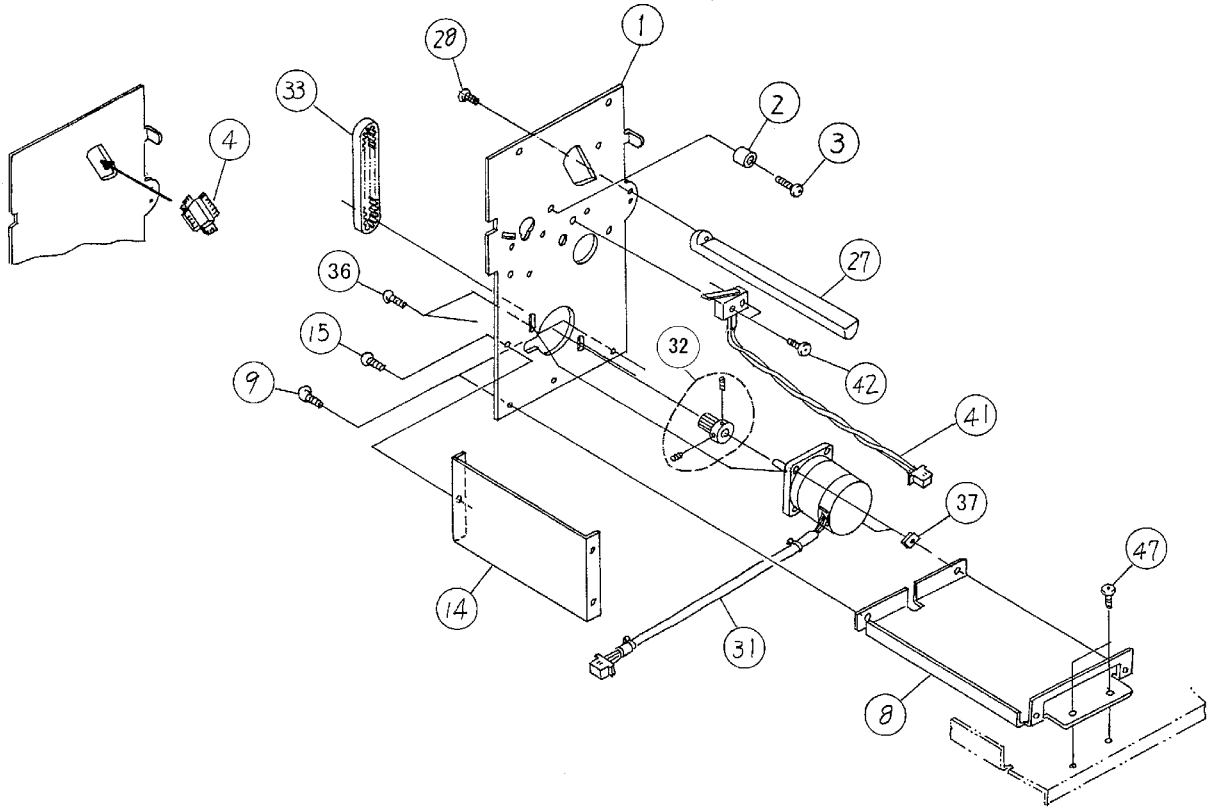


Figure PL1a, Frame Assembly

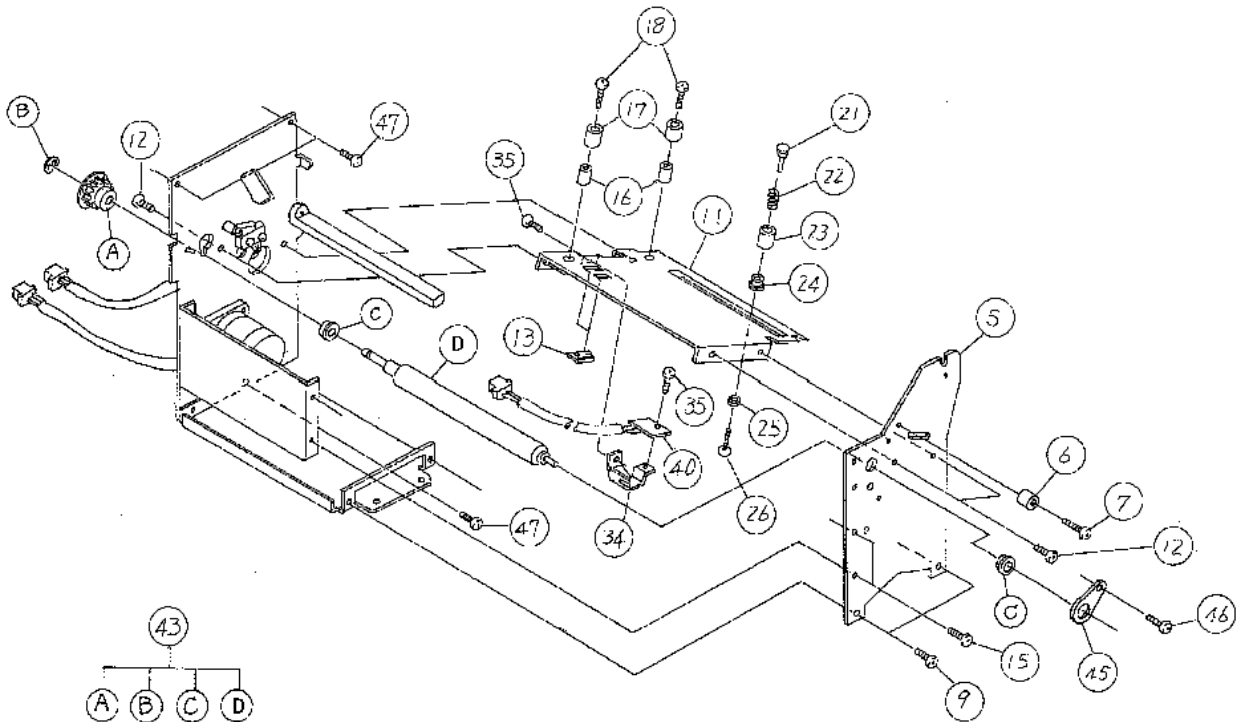


Figure PL1b, Frame Assembly

FRAME ASSEMBLY WITH DRIVE TRAIN			
ITEM	PART NUMBER	PART DESCRIPTION	QTY
1	PA2520600	LEFT FRAME MEMBER	1
2	PB2520200	COLLAR	1
3	MA0401021	PAN HEAD SCREW	1
4	PV9720200	BUSH	1
5	PA2520700	RIGHT FRAME MEMBER	1
6	PB2520200	COLLAR	1
7	MA0401021	PAN HEAD SCREW	1
8	PA3522500	LOWER BRACKET	1
9	MH4300821	PAN HEAD SCREW, S-TIGHT	4
11	PA3522600	PAPER RAMP	1
12	MH4300821	PAN HEAD SCREW, S-TIGHT	4
13	PE1570801	SENSOR WINDOW	2
14	PA3523700	FRONT BRACE	1
15	MH4300621	PAN HEAD SCREW, S-TIGHT	3
16	PE3520400	SPACER	2
17	PE3520500	ROLLER	2
18	MA0301022	PAN HEAD SCREW	2
21	PE2520300	KNOB CAP	1
22	PC1520200	SPRING	1
23	PE3520101	KNOB	1
24	PM6401200	BUSH	1
25	PT9520400	WASHER	1
26	MH0300821	PAN HEAD SCREW, P-TIGHT	1
27	PE1520300	LABEL GUIDE, BLACK PLASTIC	1
28	MH0300821	PAN HEAD SCREW, P-TIGHT	1
31	PR7520100	MOTOR, STEPPER	1
32	PR7520200	MOTOR PULLEY	1
33	PT8122064	TIMING BELT	1
34	PA3522700	SENSOR BRACKET	1
35	MD4300621	PAN HEAD SCREW W/LARGE FLAT & LOCK WASHER	2
36	MD4401421	PAN HEAD SCREW W/LARGE FLAT & LOCK WASHER	2
37	PA1190000	PLATE NUT	2
40	RJ3520000	SENSOR	1
41	RH1523300	HEAD OPEN SWITCH	1
42	MD3201221	PAN HEAD SCREW W/NARROW FLAT & LOCK WASHER	2
43	PR1520300	PLATEN ROLLER	1
45	PA1680200	RETAINING CLAMP	1
46	MD4300621	PAN HEAD SCREW W/LARGE FLAT & LOCK WASHER	1
47	MD4300821	PAN HEAD SCREW W/LARGE FLAT & LOCK WASHER	5

# HOUSING AND ELECTRONICS ASSEMBLIES

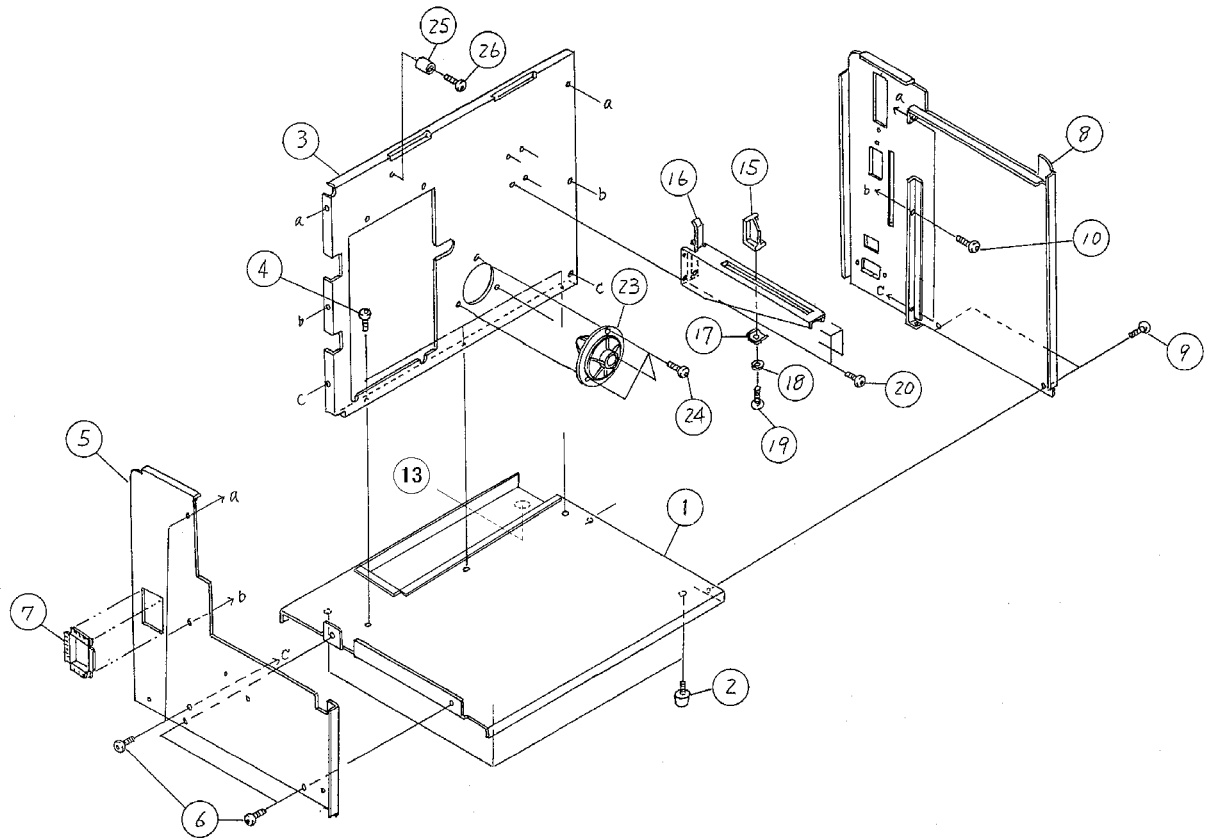


Figure PL2a, Housing Cover Assembly

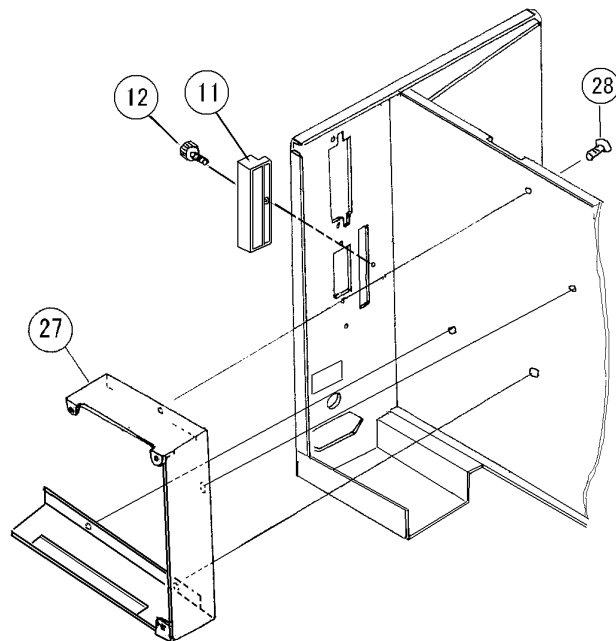
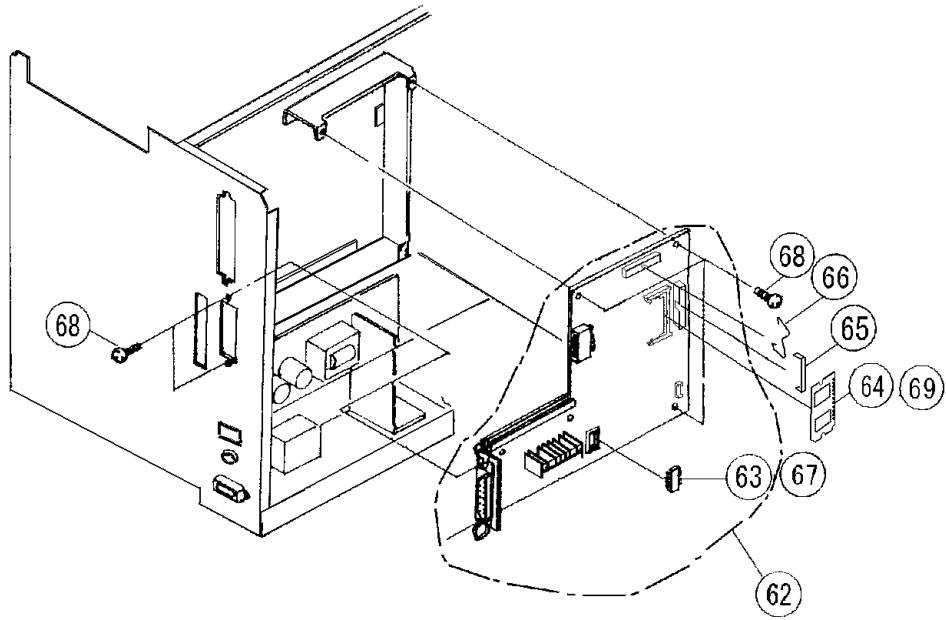
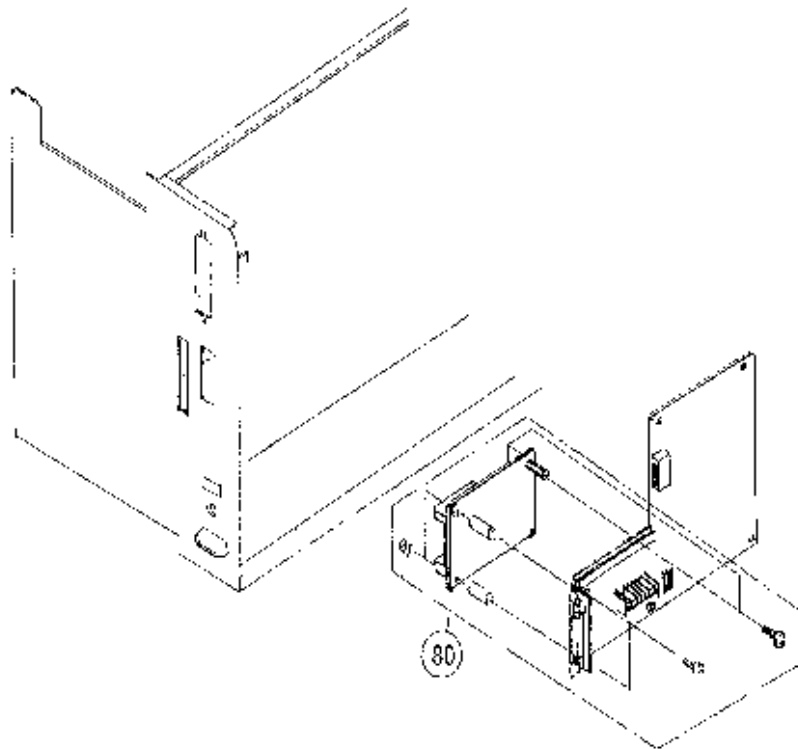


Figure PL2b, Housing Cover Assembly





**Figure PL2e, Housing Cover Assembly**



**Figure PL2f, Housing Cover Assembly**

<b>HOUSING AND ELECTRONICS ASSEMBLIES</b>			
<b>ITEM</b>	<b>PART NUMBER</b>	<b>PART DESCRIPTION</b>	<b>QTY</b>
1	P00893000	BASE ASSEMBLY	1
2	P00796000	BOOT, RUBBER	3
3	P00319010	CENTER FRAME	1
4	MH4300821	PAN HEAD SCREW	3
5	PH1523300	FRONT PLATE	1
6	MH4300821	PAN HEAD SCREW	5
7	PV9520300	BUSH	1
8	P00316000	REAR HOUSING COVER	1
9	MD4300621	PAN HEAD SCREW W/LARGE FLAT & LOCK WASHER	2
10	MD4300621	PAN HEAD SCREW W/LARGE FLAT & LOCK WASHER	3
11	PE6771001	MEMORY CARD	1
12	PB5A20001	THUMB SCREW, KNURLED	1
13	PV2760100	BOOT, RUBBER	1
15	PE1720300	LABEL GUIDE	1
16	PA3524000	LABEL SUPPLY BRACKET	1
17	PA4520300	LABEL GUIDE SPRING	1
18	NA1003022	FLAT WASHER	1
19	MH0300821	PAN HEAD SCREW, P-TIGHT	1
20	MD4300621	PAN HEAD SCREW W/LARGE FLAT & LOCK WASHER	4
23	PE1520600	REWIND SHAFT BRACKET, PLASTIC, BLACK	1
24	MH4300821	PAN HEAD SCREW	3
25	PE2520101	SPACER	1
26	MA0401621	PAN HEAD SCREW	1
27	P00321000	CIRCUIT BOARD BRACKET	1
28	MD4300621	PAN HEAD SCREW W/LARGE FLAT & LOCK WASHER	4
31	KA500631A	POWER BOARD ASSEMBLY	1
32	HD100321A	CERAMIC FUSE, 250V/3.15A	1
33	MD4300621	PAN HEAD SCREW W/LARGE FLAT & LOCK WASHER	2
36	MD4300821	PAN HEAD SCREW, P-TIGHT	2
37	RH1775100	POWER/HEAD WIRING HARNESS	1
39	Q00128000	ADHESIVE LABEL	1
40	PH0520700	FRONT HOUSING COVER (A), PLASTIC, GREY	1
41	MH0300821	PAN HEAD SCREW, P-TIGHT	5
42	PH0520800	DIP SWITCH COVER, PLASTIC, GREY	1
43	PH2520700	PANEL, CLEAR PLASTIC	1
44	PE1520800	SWITCH BUTTON	1
46	P00532000	FRONT HOUSING COVER (B), PLASTIC, GREY	1
47	MH0300821	PAN HEAD SCREW, P-TIGHT	4
48	PH1523500	RIGHT HOUSING COVER	1

<b>HOUSING AND ELECTRONICS ASSEMBLIES</b>			
<b>ITEM</b>	<b>PART NUMBER</b>	<b>PART DESCRIPTION</b>	<b>QTY</b>
49	MD4300621	PAN HEAD SCREW W/LARGE FLAT & LOCK WASHER	7
50	P00317000	LEFT HOUSING COVER	1
52	PV3520700	FRONT HOUSING COVER (C)	1
55	RH1745700	LCD BOARD W/WIRING HARNESS	1
56	RJ2522020	PANEL BOARD	1
57	RH1770500	PANEL BOARD WIRING HARNESS	1
58	MH0300821	PAN HEAD SCREW, P-TIGHT	1
62	R00459000	MAIN CIRCUIT BOARD	1
63	CJ058651A	EEPROM	1
64	RJ7770200	MEMORY CARD	1
65	PA3739900	CONNECTOR LOCK	1
66	PC9730100	LOCK SPRING	1
67	CV617431A	REAL-TIME CLOCK (OPTION)	1
68	MD4300621	PAN HEAD SCREW	3
69	RJ7770300	4MB MEMORY CARD (OPTION)	1
80	RJ4770100	EXPANSION BOARD (OPTION)	1

# PRINT ASSEMBLY

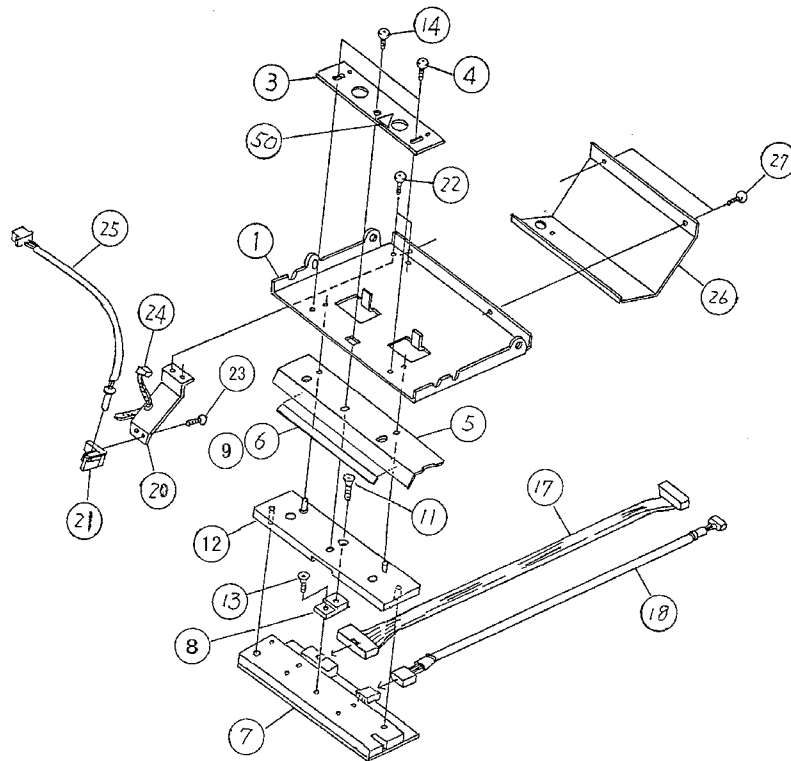


Figure PL3a, Print Assembly

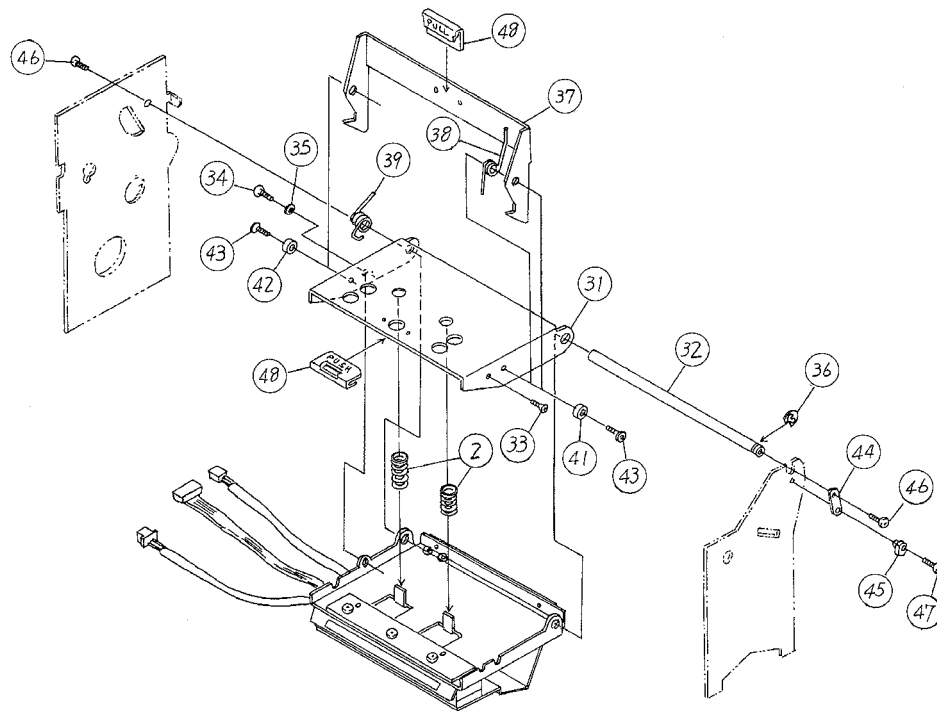


Figure PL3b, Print Assembly

PRINT ASSEMBLY			
ITEM	PART NUMBER	PART DESCRIPTION	QTY
1	PA3522800	LOWER PRINT ASSEMBLY BRACKET	1
2	PC1520100	HEAD BALANCE SPRING	2
3	PA2520300	PRINT HEAD PLATE	1
4	MP7300522	HEX HEAD SCREW W/LARGE FLAT & LOCK WASHERS	2
5	PA3525200	LABEL TEAR BAR	1
6	QC6521400	ADHESIVE LABEL, CUTTER CAUTION	1
7	GH000741A	THERMAL PRINT HEAD	1
9	QC6522100	ADHESIVE LABEL, CUTTER CAUTION	1
12	PR1521100	PRINT HEAD MOUNT PLATE	1
14	MD4300821	PAN HEAD SCREW W/LARGE FLAT & LOCK WASHERS	1
17	R00437000	PRINT HEAD WIRING HARNESS	1
20	PA3523300	GAP SENSOR BRACKET, METAL	1
21	PE1631200	GAP SENSOR BRACKET, PLASTIC, BLACK	1
22	MD4300621	PAN HEAD SCREW W/LARGE FLAT & LOCK WASHERS	2
23	MH250621	PAN HEAD SCREW, P-TIGHT	1
24	JG100011A	CABLE TIE	1
25	RH1522200	GAP SENSOR ASSEMBLY	1
26	PA4520200	PAPER PRESSURE PLATE	1
27	MD4300621	PAN HEAD SCREW W/LARGE FLAT & LOCK WASHERS	2
31	PA3523000	UPPER PRINT ASSEMBLY BRACKET	1
32	PB0520800	PRINT ASSEMBLY SHAFT	1
33	MA1300422	FLAT HEAD SCREW	1
34	MH4300821	PAN HEAD SCREW, S-TIGHT	1
35	NA1003022	FLAT WASHER	1
36	ND0070030	SNAP RING, TYPE E	1
37	PA3523400	LATCH LEVER	1
38	PC2520100	TORQUE SPRING (A)	1
39	PC2520201	TORQUE SPRING (B)	1
41	PB2520200	COLLAR (A)	1
42	PB2520300	COLLAR (B)	1
43	MJ9401021	THIN HEAD SCREW	2
44	PA2521000	ADJUSTMENT PLATE	1
45	PB5550100	ECCENTRIC NUT	1
46	MD4300621	PAN HEAD SCREW W/LARGE FLAT & LOCK WASHERS	2
47	MD4300821	PAN HEAD SCREW W/LARGE FLAT & LOCK WASHERS	1
48	PE1520100	LEVER HANDLE, PLASTIC, GREEN	2
50	QC6524200	ADHESIVE LABEL, CAUTION HOT	1

# DISPENSER ASSEMBLY

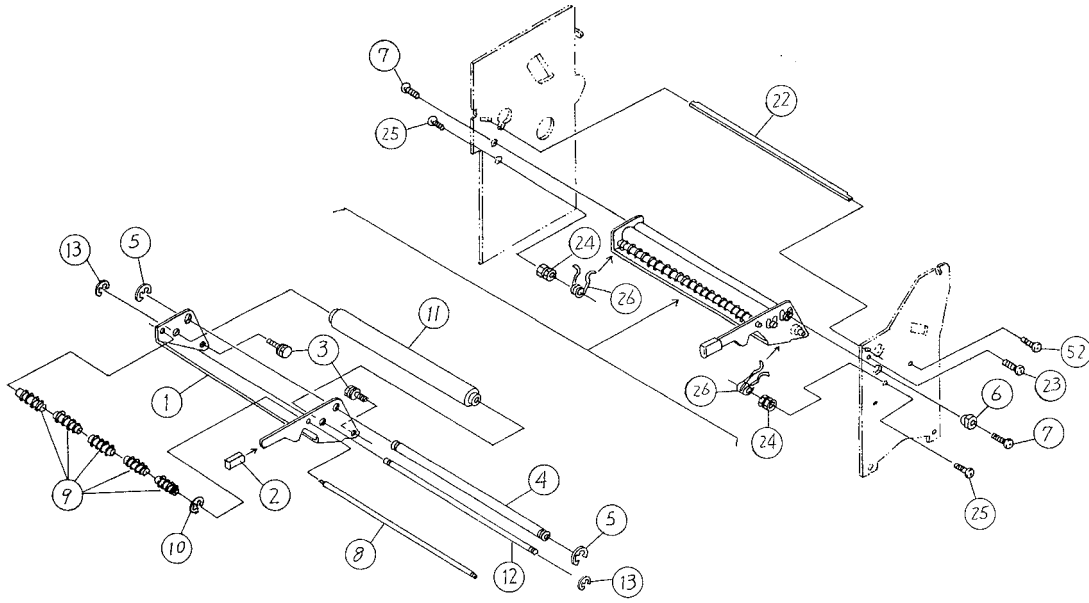


Figure PL4a, Dispenser Assembly

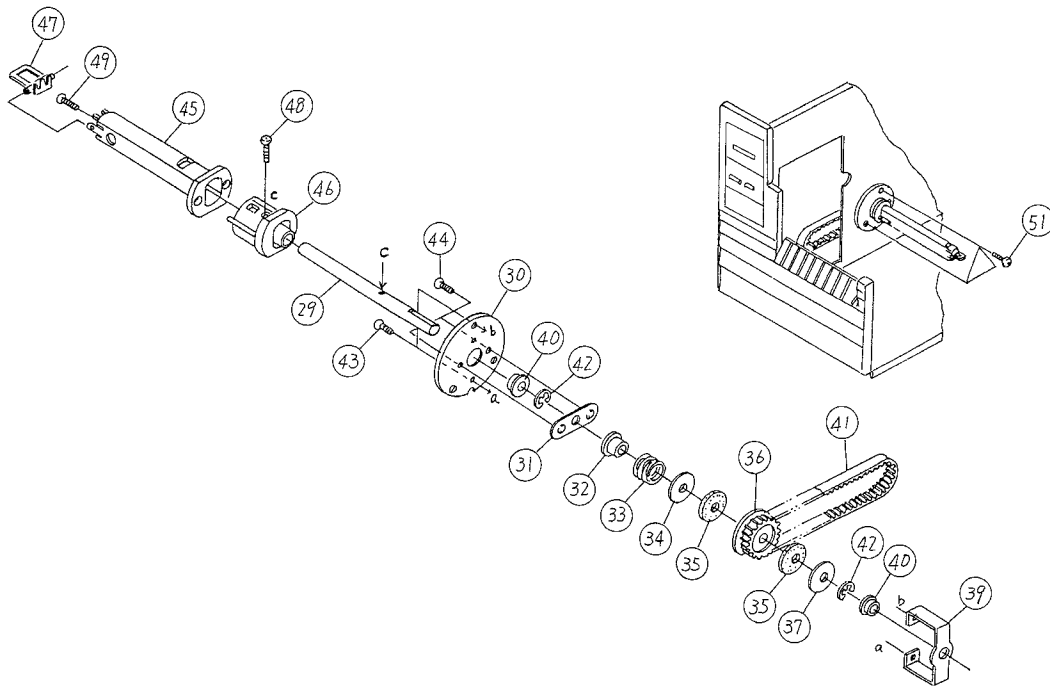


Figure PL4b, Dispenser Assembly

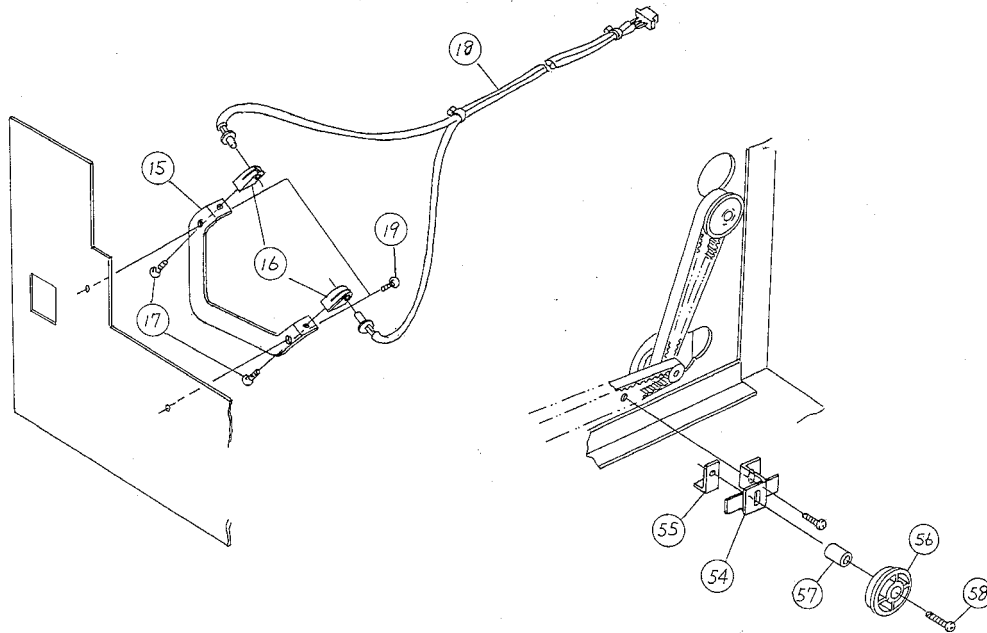


Figure PL4c, Dispenser Assembly

DISPENSER ASSEMBLY			
ITEM	PART NUMBER	PART DESCRIPTION	QTY
1	PA3523100	DISPENSER BRACKET	1
2	PT9690500	TCV CAP	1
3	PB0521300	SPRING POST (A)	2
4	PB0521500	DISPENSER BRACKET SHAFT	1
5	ND0060030	SNAP RING, TYPE E	2
6	PB5550100	ECCENTRIC NUT	1
7	MD4300821	PAN HEAD SCREW W/LARGE FLAT & LOCK WASHERS	2
8	PB0521600	DISPENSER ROLLER SHAFT	1
9	PE3520600	DISPENSER ROLLER	5
10	ND0020030	SNAP RING, TYPE E	1
11	PR1520200	PRESSURE ROLLER	1
12	PB0521800	PRESSURE ROLLER SHAFT	1
13	ND0040030	SNAP RING, TYPE E	2
15	PA3523200	SENSOR BRACKET, METAL	1
16	PE1570300	SENSOR BRACKET, PLASTIC, BLACK	2
17	MH0250621	PAN HEAD SCREW, P-TIGHT	2
18	RH1522900	DISPENSER SENSOR ASSEMBLY	1

<b>DISPENSER ASSEMBLY</b>			
<b>ITEM</b>	<b>PART NUMBER</b>	<b>PART DESCRIPTION</b>	<b>QTY</b>
19	MH4300821	PAN HEAD SCREW, S-TIGHT	2
22	PA2520800	PEELER BAR	1
23	MD4300621	PAN HEAD SCREW W/LARGE FLAT & LOCK WASHERS	1
24	PB0521400	SPRING POST (B)	2
25	MD4300621	PAN HEAD SCREW W/LARGE FLAT & LOCK WASHERS	2
26	PC2520300	PRESSURE SPRING	2
29	PB0522401	PAPER REWINDER SHAFT	1
30	PA0520300	PAPER REWINDER MOUNTING PLATE	1
31	PA1520500	TENSION PLATE	1
32	PE2520500	GUIDE COLLAR	1
33	PC1520400	REWINDER SPRING	1
34	PA0770100	FLANGE	1
35	PJ4770100	FACING, 9x26x2	2
36	PE8770400	PULLEY, 50 TOOTH	1
37	PE7770100	FLANGE, 8x26	1
39	PA3525300	REWIND FRAME	1
40	PT1112080	BALL SUPPORTER	2
41	PT8134064	MINI PITCH BELT	1
42	ND0060030	SNAP RING, TYPE E	2
43	MD4300621	PAN HEAD SCREW W/LARGE FLAT & LOCK WASHERS	2
44	MA0300621	PAN HEAD SCREW	2
45	PE4770100	REWINDING CORE	1
46	PE4770200	REWINDING BOSS	1
47	PE1520700	REWINDING HANDLE	1
48	MD4301221	PAN HEAD SCREW W/LARGE FLAT & LOCK WASHERS	1
49	MD4401021	PAN HEAD SCREW W/LARGE FLAT & LOCK WASHERS	1
51	MH4300821	PAN HEAD SCREW, S-TIGHT	3
52	MD4401021	PAN HEAD SCREW W/LARGE FLAT & LOCK WASHERS	1
54	PA3525401	TENSION BRACKET	1
55	PA3525500	PLATE NUT	1
56	PE3720100	TENSION ROLLER	1
57	PB2720600	COLLAR, 4x6x9.2	1
58	MD4401621	PAN HEAD SCREW W/LARGE FLAT & LOCK WASHERS	1

## CUTTER ASSEMBLY

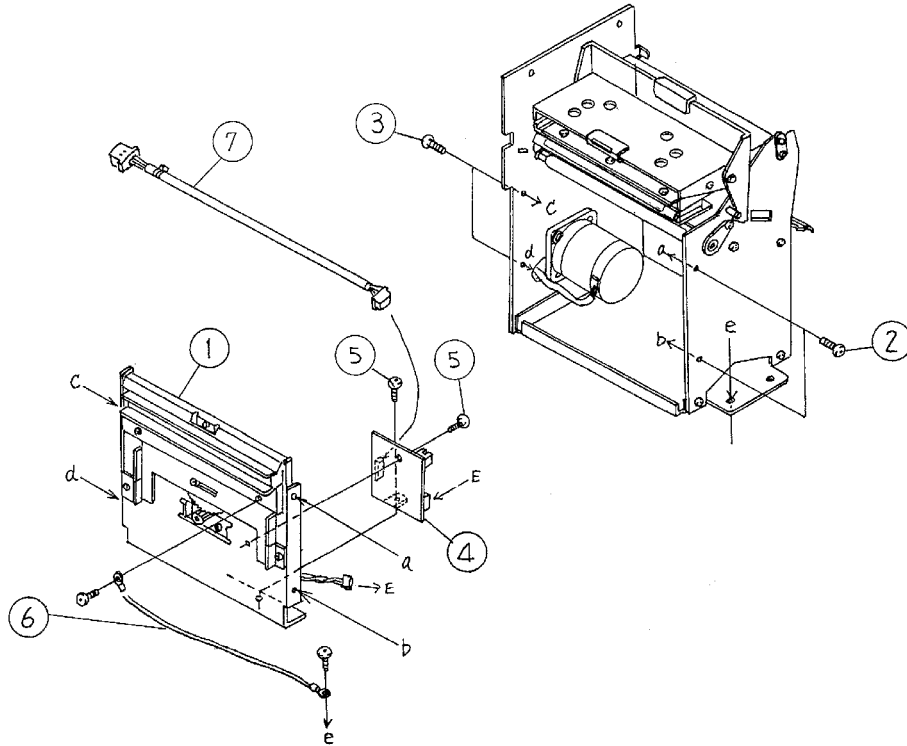


Figure PL5, Cutter Assmby

CUTTER ASSEMBLY			
ITEM	PART NUMBER	PART DESCRIPTION	QTY
1	PR7522100	CUTTER ASSEMBLY	1
2	MD4300621	PAN HEAD SCREW W/NARROW FLAT & LOCK WASHERS	2
3	MH4300821	PAN HEAD SCREW, S-TIGHT	2
4	RJ4520100	CUTTER CIRCUIT BOARD	1
5	MD4300621	PAN HEAD SCREW W/NARROW FLAT & LOCK WASHERS	2
6	RH1683400	GROUND CABLE	1
7	RH1522600	CUTTER WIRING HARNESS	1