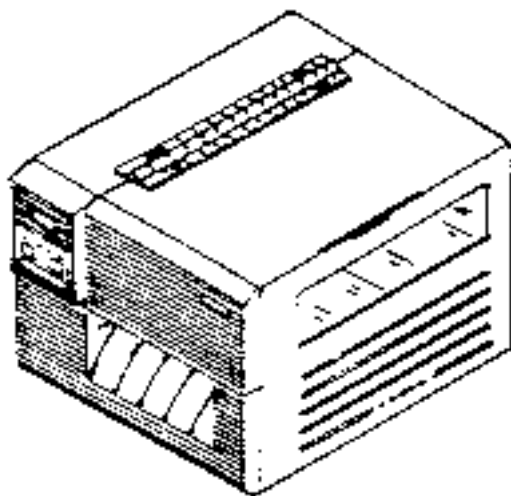




CL608 Parts List



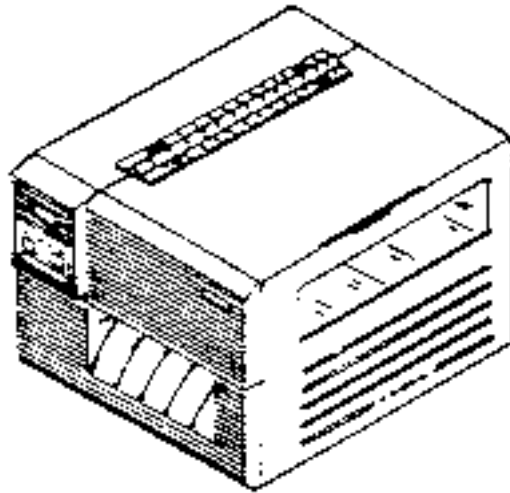
Please note that this list is divided into two sections. Use the second section (pages 41-76) if your printer S/N is between 50100000 and 81199999. For all other serial numbers please use the first section (pages 3-40)

P/N 9001026 REV. D



CL608 Parts List

(Use this section for all serial numbers other than 50100000 to 81199999)



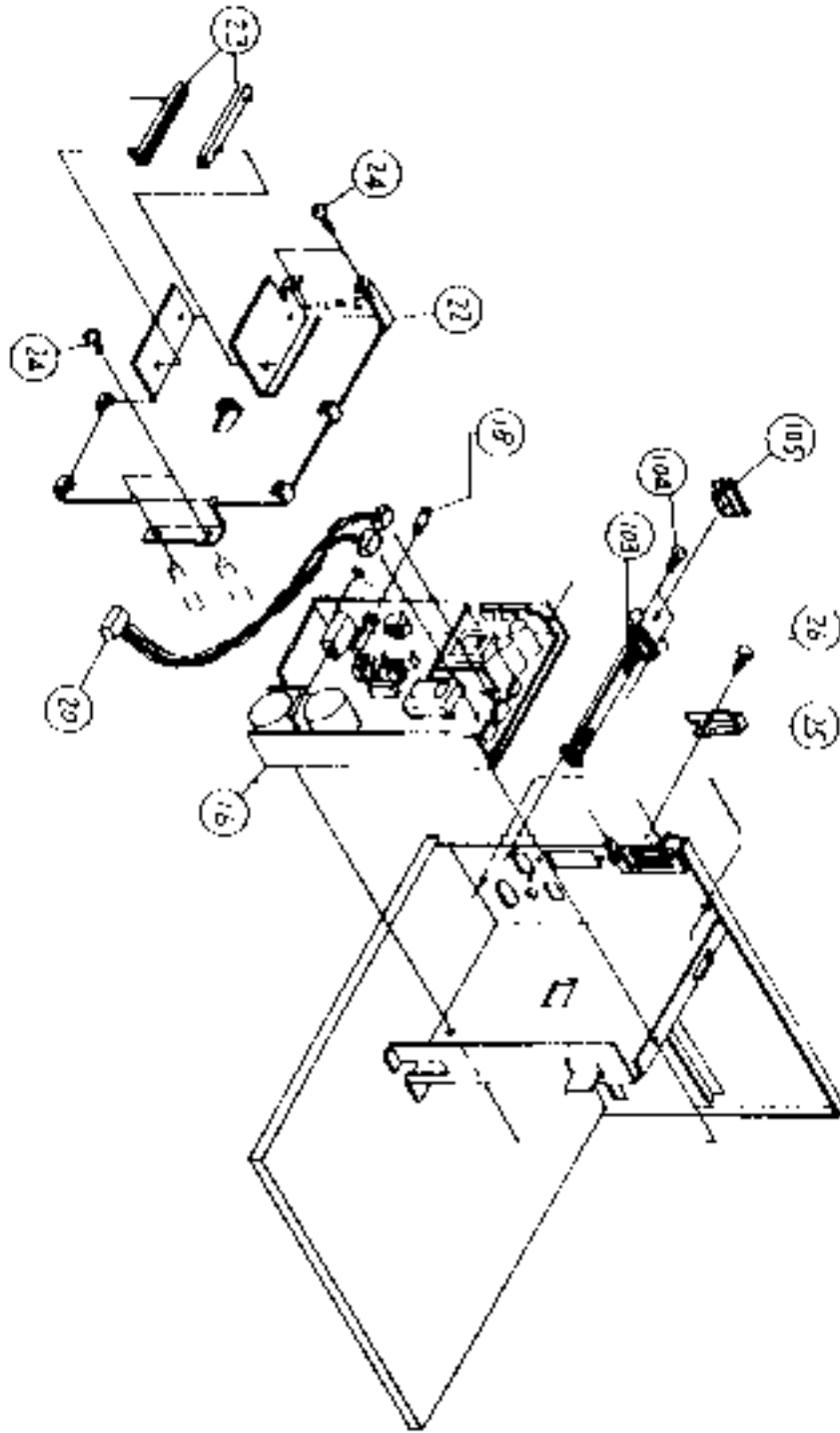
**SATO America, Inc.
10350-A Nations Ford Rd.
Charlotte, NC 28273
Technical Support Hotline (704) 644-1660
Fax (704) 644-1661**

P/N 9001026 REV. D

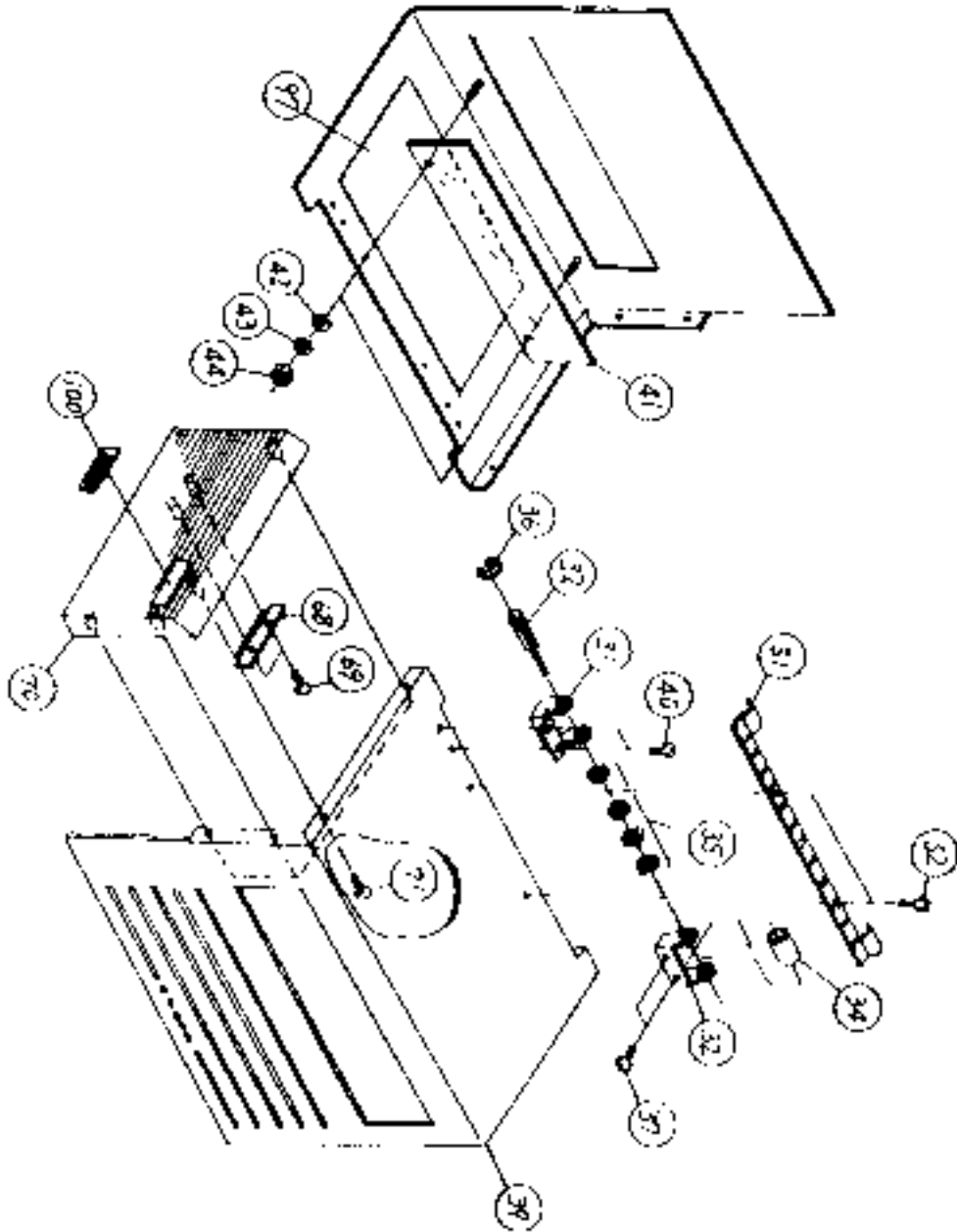
Table of Content

Base Cover Assembly	4-11
Frame Assembly	12-17
Thermal Head Assembly	18-21
Ribbon Assembly	22-25
Feed Roller Assembly	26-28
Main PCB Assembly	29-29
Memory Card PCB Assembly (Option)	30-30
Dispenser Unit	31-36
Cutter Unit	37-40

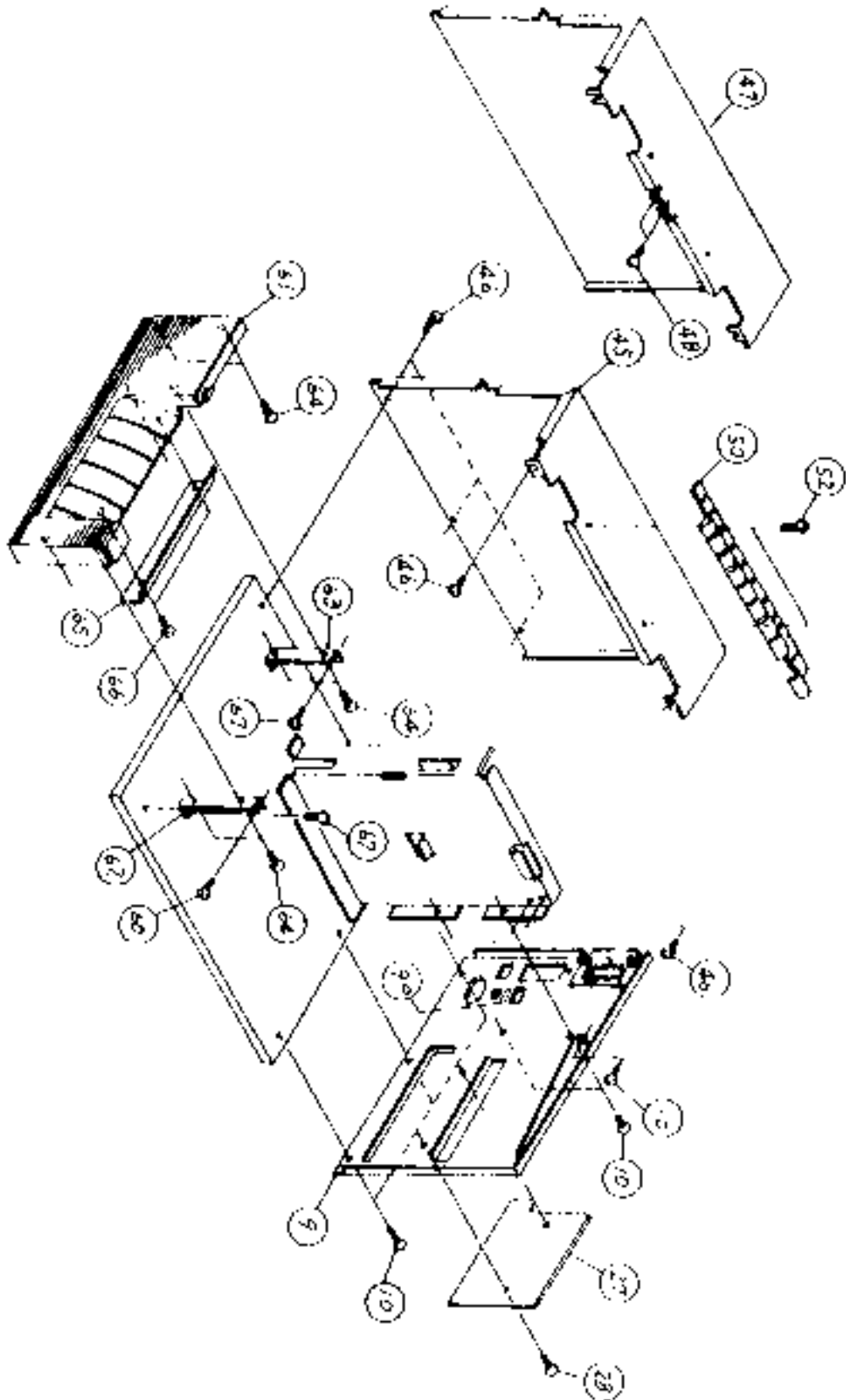
Base Cover Assembly



Base Cover Assembly



Base Cover Assembly



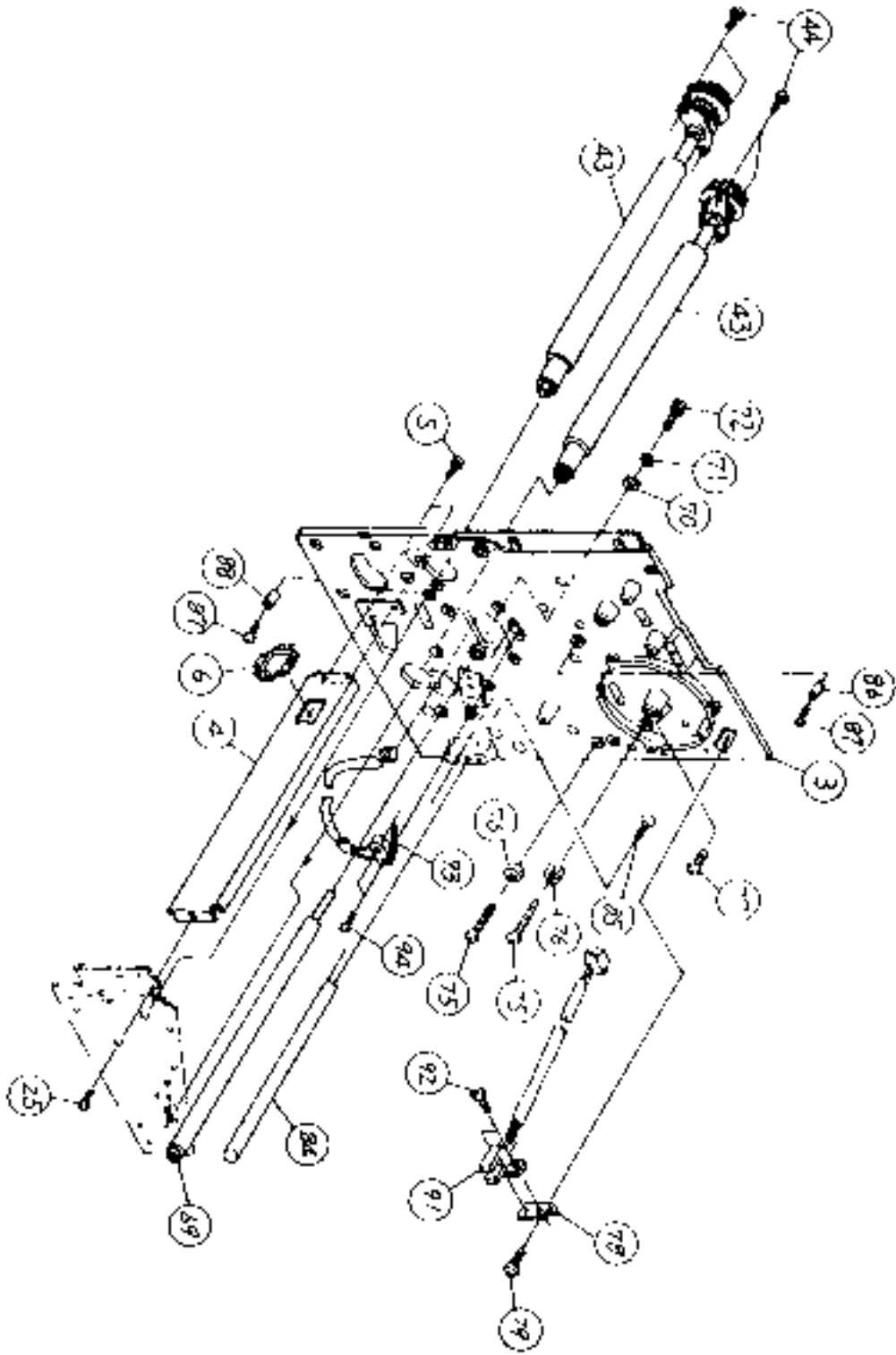
Base Cover Assembly			
Item #	Part Number	Description	QTY
1	PH1720101	Base frame	1
2	MH4300621	S-tight screw	1
3	PE6721100	Foot	4
4	PV2720100	Rubber foot	4
5	MD4301021	Pan head screw	4
6	PH1720200	Center frame	1
7	MD4400821	Pan head screw	5
8	PV9720200	Bush	1
9	PZ0720200	Rear cover	1
10	MD4300821	Pan head screw	6
12	PH1720400	Front frame	1
13	MD3401021	Pan head screw	2
14	MD4400821	Pan head screw	3
15	PV9720600	Bush	1
16	PR7720200	Power supply 115V	1
18	HD100301A	Fuse (UL CSA)	1
20	MD4300621	Pan head screw	4
21	RH1721600	Power cable	1
22	PR3720700	PCB bracket	1
23	PT4720100	Guide	2
24	MD4300821	Pan head screw	4
25	PA1729000	Cover (memory)	1
26	MD4300821	Pan head screw	1
27	PH1720700	Lid	1
28	MD4300821	Pan head screw	4
31	PA1722300	Hinge bracket (A)	2
32	PA1722400	Hinge bracket (B)	2
33	PB5720100	Screw (M)	2
34	PB5720200	Screw (F)	2
35	NB5100030	Spring (latch handle)	8
36	ND3120024	C-snap ring	2
37	MD4300821	Pan head screw	4
39	PV9720800	Cover RH	1
40	MD4300821	Pan head screw	4
41	PH2720100	Window	1
42	NA1030022	Plain washer	2
43	NB0030022	Spring washer	2
44	MT1300522	Hex nut	2
45	PH1720601	Cover (LH)	1

CL608

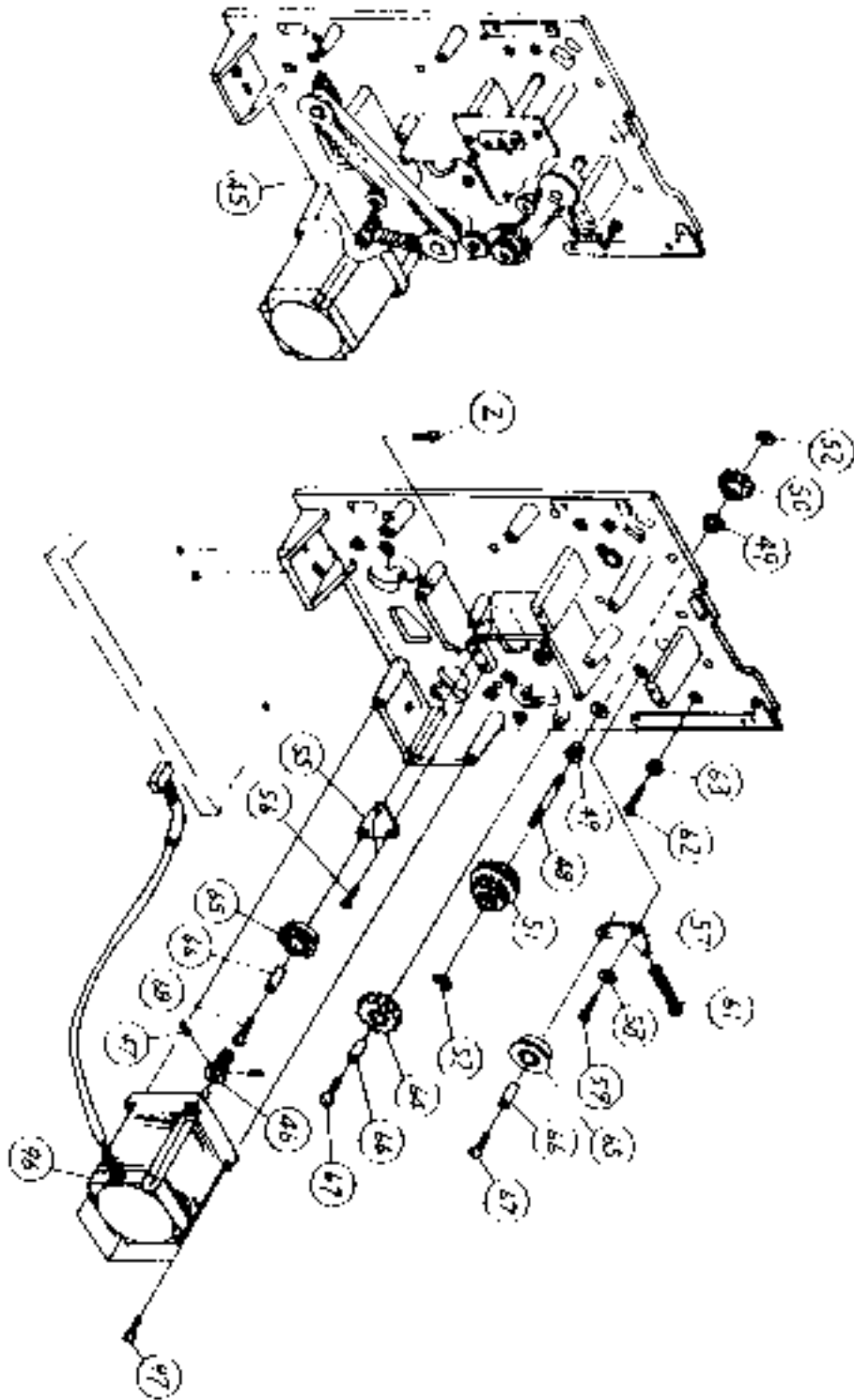
Base Cover Assembly			
Item #	Part Number	Description	QTY
46	MD4300821	Pan head screw	5
47	PH1720900	Cover (LH)	1
48	MD4300821	Pan head screw	7
50	PE6720900	Hinge cover (LH)	1
51	PE6721000	Hinge cover (RH)	1
52	MA7300625	Truss screw	4
53	PR4721200	Key board cover	1
54	PE6720800	Switch	1
55	PA1728600	FG plate	1
57	PR4720300	Dip switch cover	1
58	MH0300821	P-tight screw	1
59	MD4301021	Pan head screw	3
60	MD3300521	Pan head screw	1
61	PH0720200	Front cover	1
62	PA1722500	Front cover bracket (A)	1
63	PA1722600	Front cover bracket (B)	1
64	MH0300821	P-tight screw	6
65	PA1724000	Tear off blade	1
66	MH0300821	P-tight screw	2
67	MD4300821	Pan head screw	2
68	PR1340500	Antistatic brush	1
69	MH0300821	P-tight screw	2
70	PH0720300	Cover RH sub	1
71	MH0300821	P-tight screw	4
74	PA1729100	Paper holder	1
75	PE1720300	Label stopper	1
76	PA4520300	Stopper spring	1
77	MH0300821	P-tight screw	1
78	NA1030022	Plain washer	1
80	PA1729200	Roller bracket	2
81	PB0723600	Shaft (unwind)	2
82	PE3720200	Roller	12
83	PE3720500	Roller	12
84	ND0040030	E-snap ring	4
85	MD4300821	Pan head screw	6
86	PA1723700	Unwind bracket (A)	1
87	MD4300821	Pan head screw	2
88	MD4300821	Pan head screw	2
89	MD4400821	Pan head screw	1
91	PR3720100	Unwind bracket (B)	1

Base Cover Assembly			
Item #	Part Number	Description	QTY
92	MD4300821	Pan head screw	2
93	PB0722500	Shaft (unwind)	1
94	ND0030030	E-snap ring	2
103	RH1725000	EXT cable	1
104	MA0300622	Pan head screw	2
105	JG900411A	Cap	1
106	RJ1721600	KB PCB set	1
107	MH0300821	P-tight screw	1
108	RH1720400	Key board set	1
110	RH1721500	LCD cable	1
111	MH0250621	P-tight screw	1

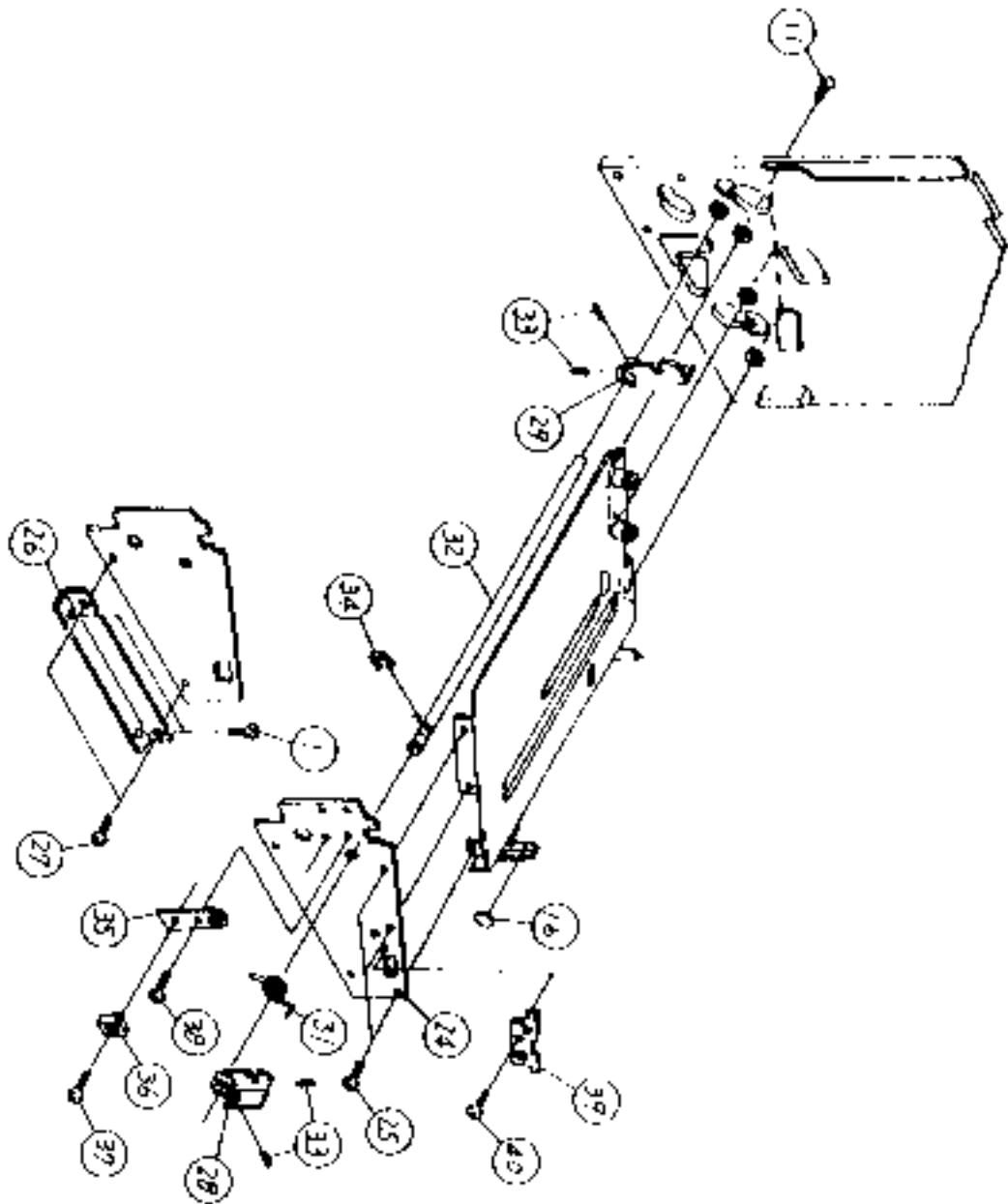
Frame Assembly



Frame Assembly



Frame Assembly

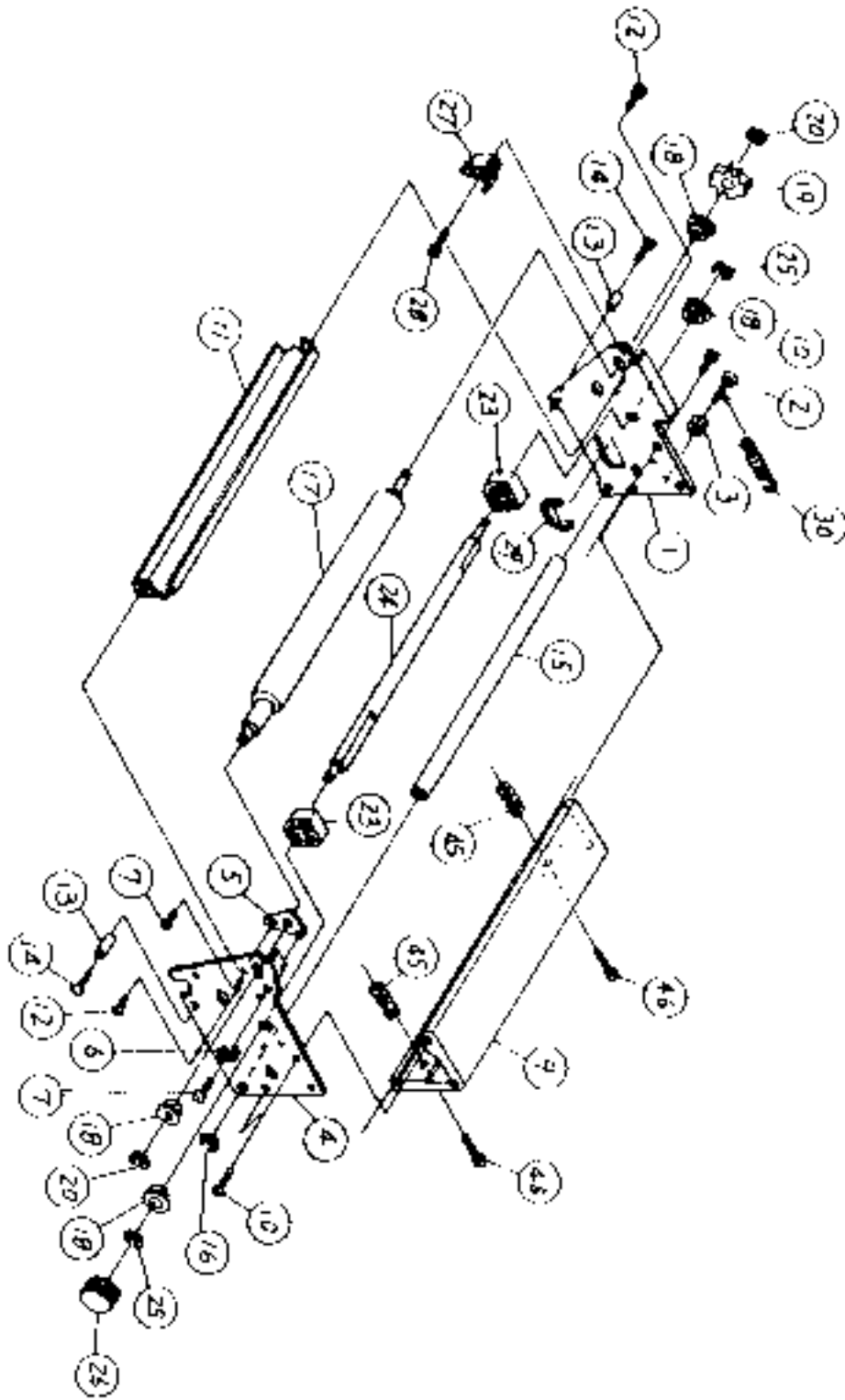


CL608

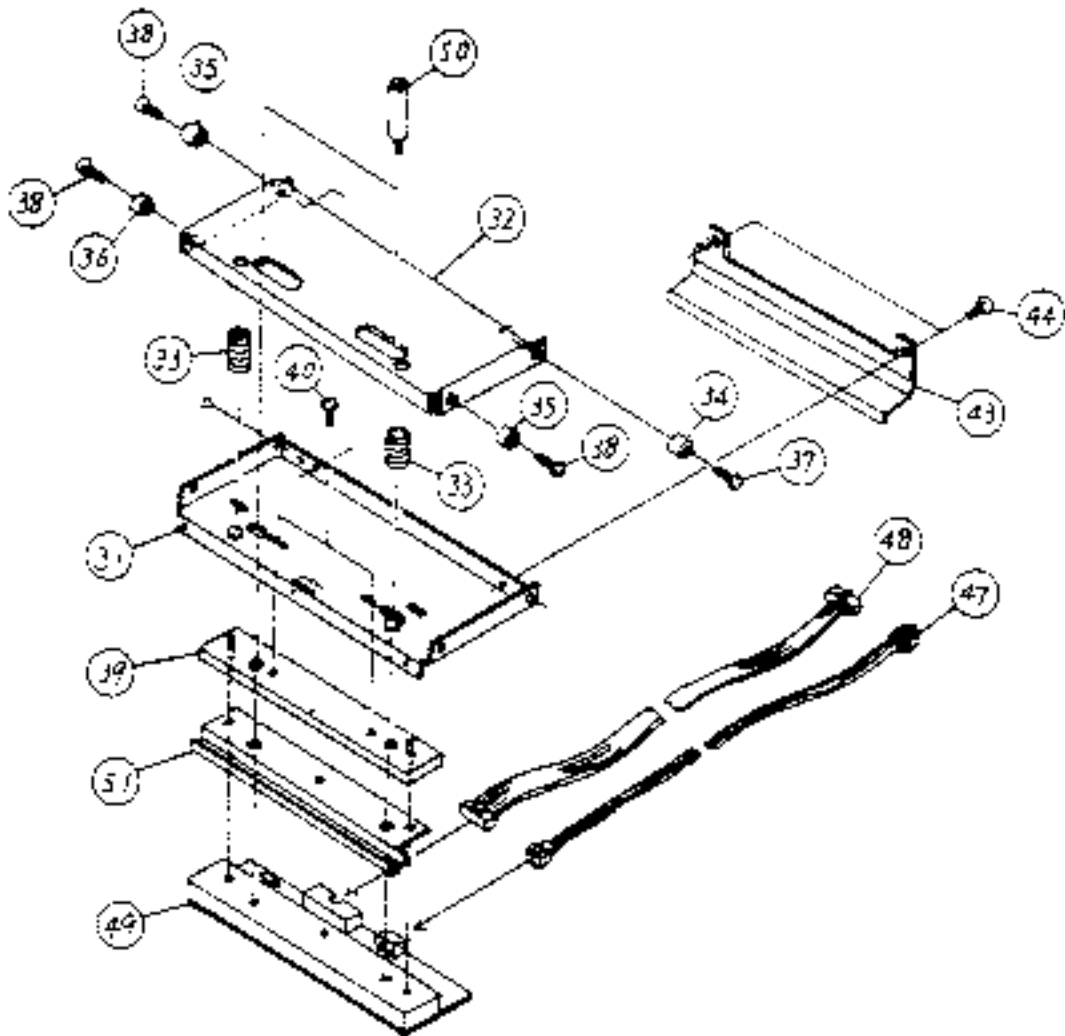
Frame Assembly			
Item #	Part Number	Description	QTY
1	MD4400821	Pan head screw	2
2	MD4401621	Pan head screw	2
3	PL1720200	Engine frame	1
4	PA1721600	Support plate (A)	1
5	MD4301422	Pan head screw	2
6	PV9720500	Bush	1
8	PR3720400	Paper guide	1
9	PD1720800	Sensor protector (Large)	1
10	PV9720900	Sensor protector (Small)	1
11	MD4301422	Pan head screw	3
12	PE3720300	Roller	2
13	PB2740100	Collar	2
14	MD4301021	Pan head screw	2
15	PA1729500	Guide plate (A)	1
17	PB2721100	Collar	1
18	PC1720700	Spring	1
19	MD4301422	Pan head screw	1
22	PA1722900	Guide plate (B)	1
23	MD4300821	Pan head screw	1
24	PA1723000	Side frame	1
25	MD4300821	Pan head screw	4
26	PA1720800	Frame bracket	1
27	MD4400821	Pan head screw	2
28	PR4720400	Latch handle (A)	1
29	PR1720600	Latch handle (B)	1
31	PC2720100	Spring (latch handle)	1
32	PB0723700	Shaft (latch handle)	1
33	MJ1400524	W-point screw	4
34	ND0050030	E-snap ring	1
35	PA1720900	Plate (adjust A)	1
36	PL2720100	Adjust collar	1
37	MD4300821	Pan head screw	1
38	MD4400821	Pan head screw	1
39	PA1721000	Plate (adjust B)	1
40	MD4400821	Pan head screw	1
43	PR7720100	Platen roller	2
44	MD4300821	Pan head screw	4
45	PT8180064	Timing belt	1
46	PL1720100	Motor pulley	1
47	MJ1400524	W-point screw	2
48	PB0720800	Shaft (idle gear)	1
49	PT1112060	Ball supporter	2

Frame Assembly			
Item #	Part Number	Description	QTY
50	PE8720100	Gear	1
51	PE8720400	Gear	1
52	ND0040030	E-snap ring	2
55	PA1723100	Tension bracket	1
56	MD4300821	Pan head screw	2
57	PA1723200	Tension bracket	1
58	PB2720400	Collar	1
59	MD4401021	Pan head screw	1
61	PC0740100	Spring (tension)	1
62	MA0301221	Pan head screw	1
63	MT1300522	Hex nut	1
64	PE8720300	Gear	1
65	PE3720100	Tension roller	2
66	PB2720600	Collar	3
67	MD4401421	Pan head screw	2
68	MD4401621	Pan head screw	1
69	PB0721100	Shaft (head)	1
70	PA0720100	Collar	1
71	NB0050022	Spring washer	1
72	MN1501030	Hex bolt	1
75	MA0301221	Pan head screw	2
76	MT1300522	Hex nut	2
77	MD3300622	Pan head screw	1
78	PA3730200	Sensor bracket (ribbon)	1
79	MD3300622	Pan head screw	1
80	PA1723500	Switch bracket	1
81	MD4300821	Pan head screw	1
84	PB0723800	Guide shaft	1
85	MA0301221	Pan head screw	2
86	PT6720100	Cushioning rubber	1
87	MA0301221	Pan head screw	2
88	PB2720500	Collar	1
91	RH1721000	Ribbon sensor	1
92	MA0300622	Pan head screw	2
93	RH1721200	Head open switch	1
94	MD3201221	Pan head screw	2
96	RH1720500	Motor cord	1
97	MD3401221	Pan head screw	3
98	RH1724100	Pitch sensor cord	1
99	MD3300622	Pan head screw	2
100	RH1721400	Paper end switch	1
101	MD3201221	Pan head screw	2

Thermal Head Assembly



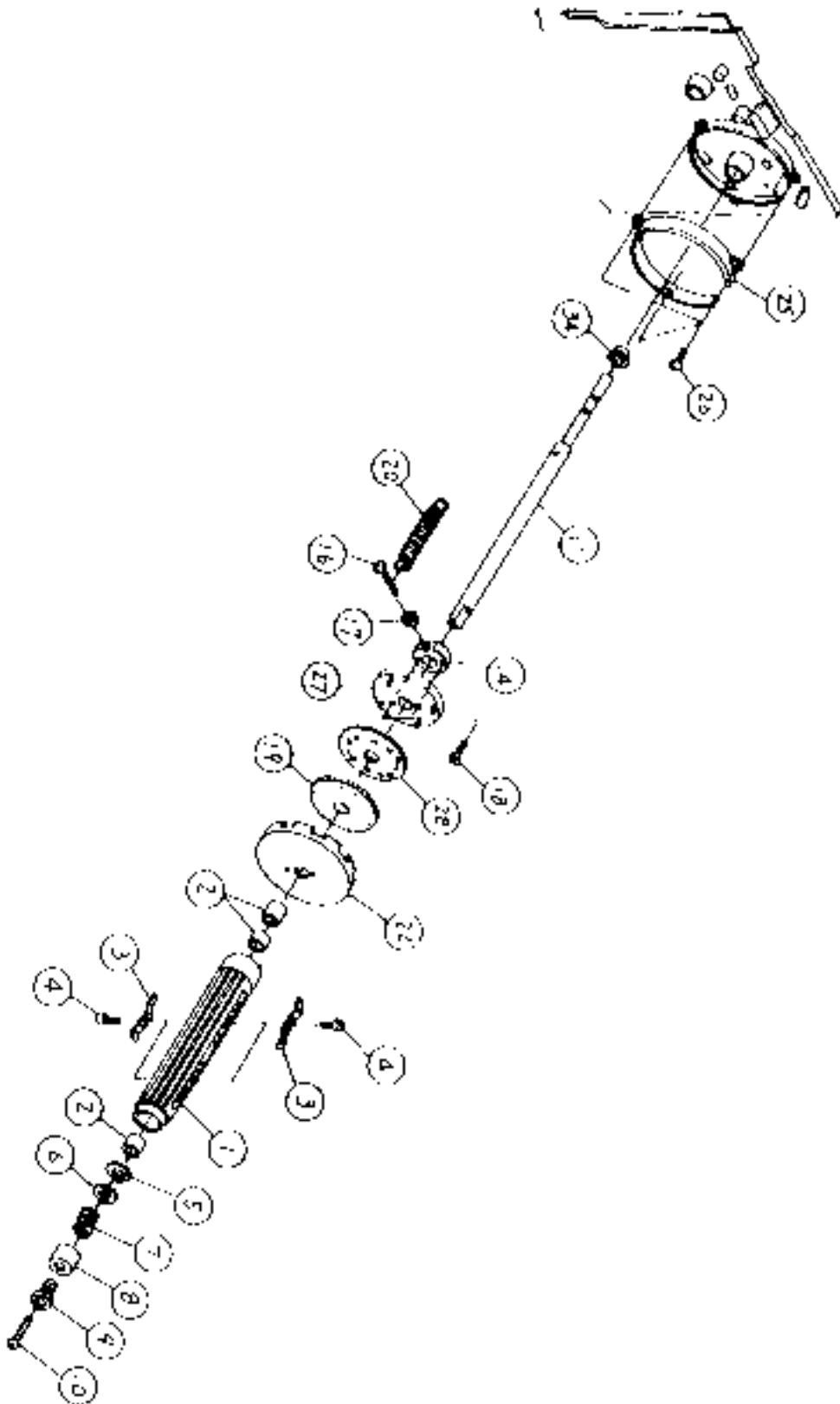
Thermal Head Assembly



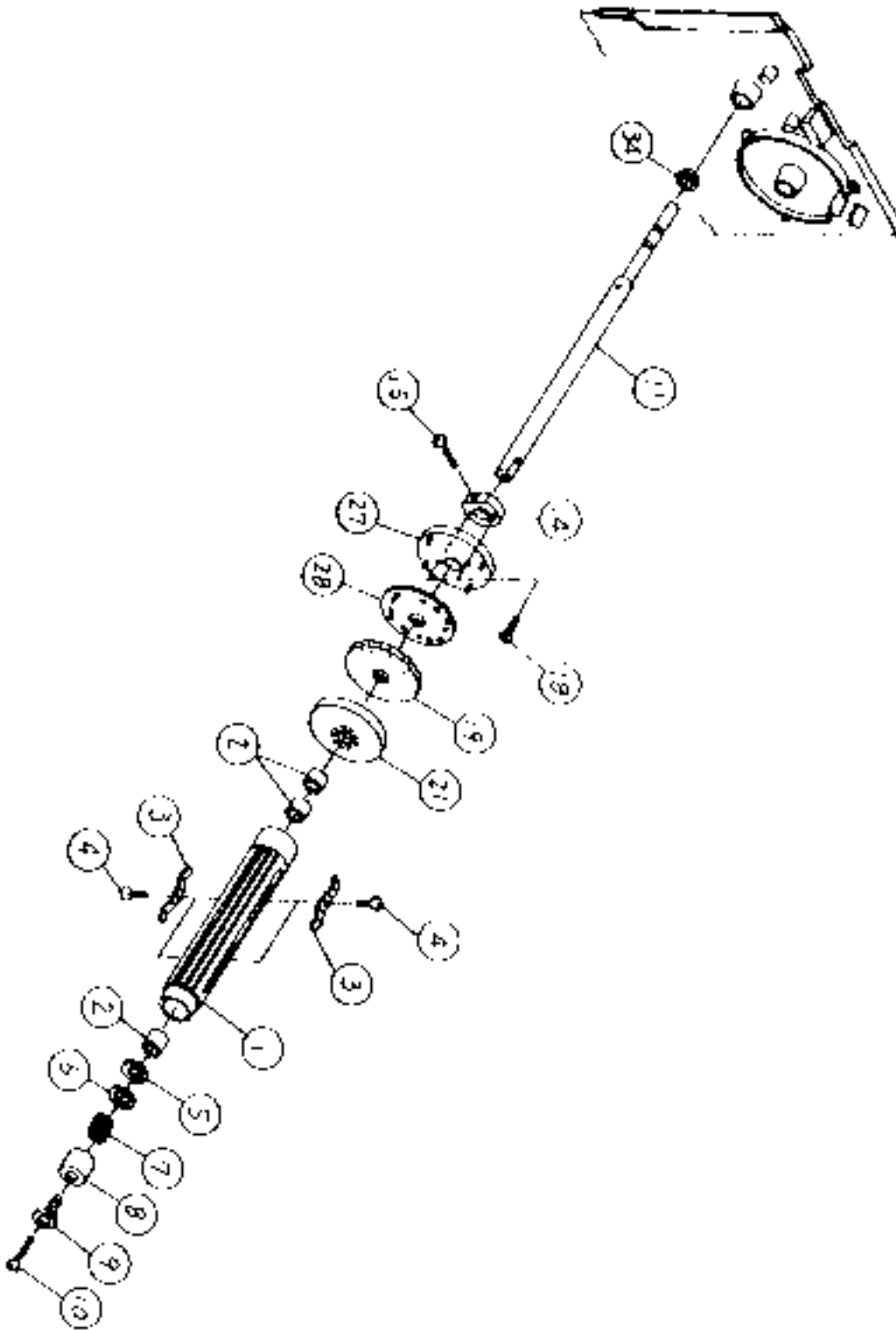
Thermal Head Assembly			
Item #	Part Number	Description	QTY
1	PA1721700	Head frame (LH)	1
2	MA0301221	Pan head screw	2
3	MT1300522	Hex nut	2
4	PA1721800	Head frame (RH)	1
5	PA1721200	Plate (adjust C)	1
6	PL2720100	Adjust collar	1
7	MD4300821	Pan head screw	2
9	PD1720400	Stay	1
10	MD3401021	Pan head screw	4
11	PA1721500	Support plate (B)	1
12	MD4300821	Pan head screw	2
13	PB2720100	Collar	2
14	MD3401021	Pan head screw	2
15	PR1720100	Roller	1
16	ND0060030	E-snap ring	1
17	PR0720700	Feed roller	1
18	PL2720400	Bush	4
19	PE8720100	Gear	1
20	ND0040030	E-snap ring	2
23	PE1720100	Cam	2
24	PB0720600	Shaft (ribbon)	1
25	ND0040030	E-snap ring	2
26	PE1720200	Knob	1
27	PE6720500	Protector (B)	1
28	MD4300821	Pan head screw	1
29	PV9720100	Bush	1
30	PC0720100	Spring (open)	1
31	PA1721900	Head bracket (A)	1
32	PA1722000	Head bracket (B)	1
33	PC1720100	Spring (head)	2
34	PB2720200	Collar	1
35	PB2720300	Collar	2
36	PB2720400	Collar	1
37	MD4402021	Pan head screw	1
38	MD4401021	Pan head screw	3
39	PR1720200	Head sub holder	1
40	MD4300821	Pan head screw	2
43	PA1721400	Head cable cover	1
44	MD4300621	Pan head screw	2
45	PC1690201	Spring	2
46	MN1301630	Hex bolt	2

Thermal Head Assembly			
Item #	Part Number	Description	QTY
47	RH1720200	HDP cable	1
48	RH1720302	HDS cable	1
49	GH000661A	Thermal head	1
50	PB0723400	Post (head)	2
51	PR4721000	Plate (ribbon)	1

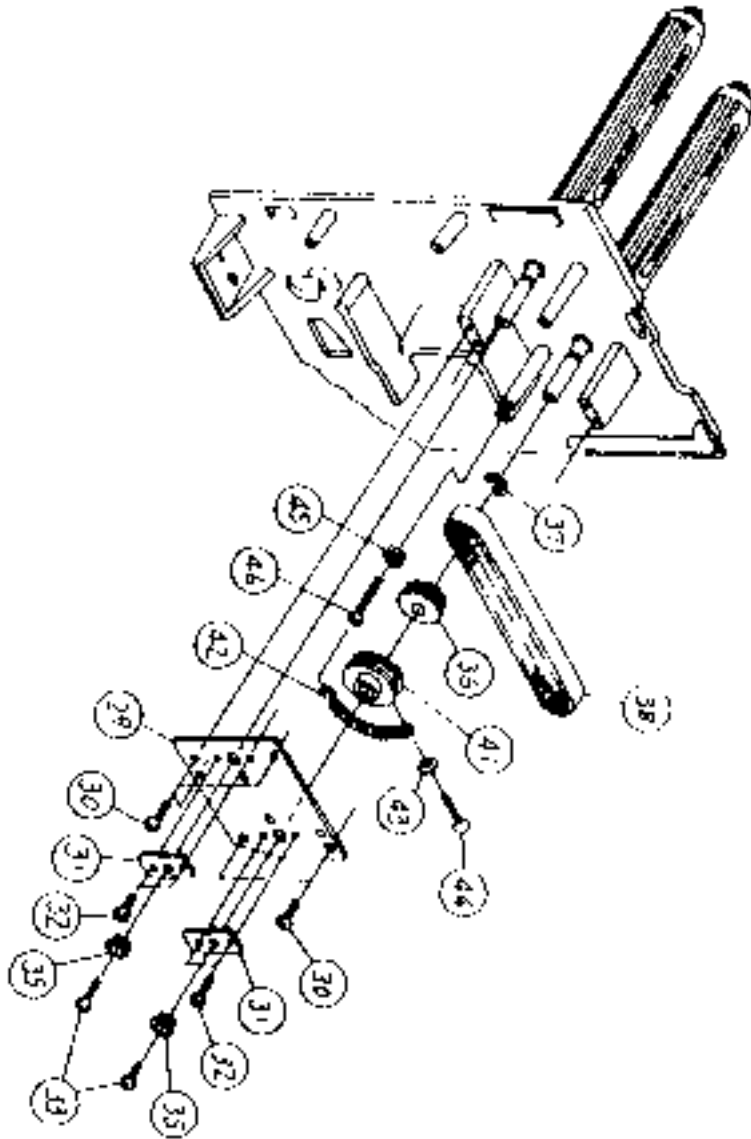
Ribbon Assembly



Ribbon Assembly

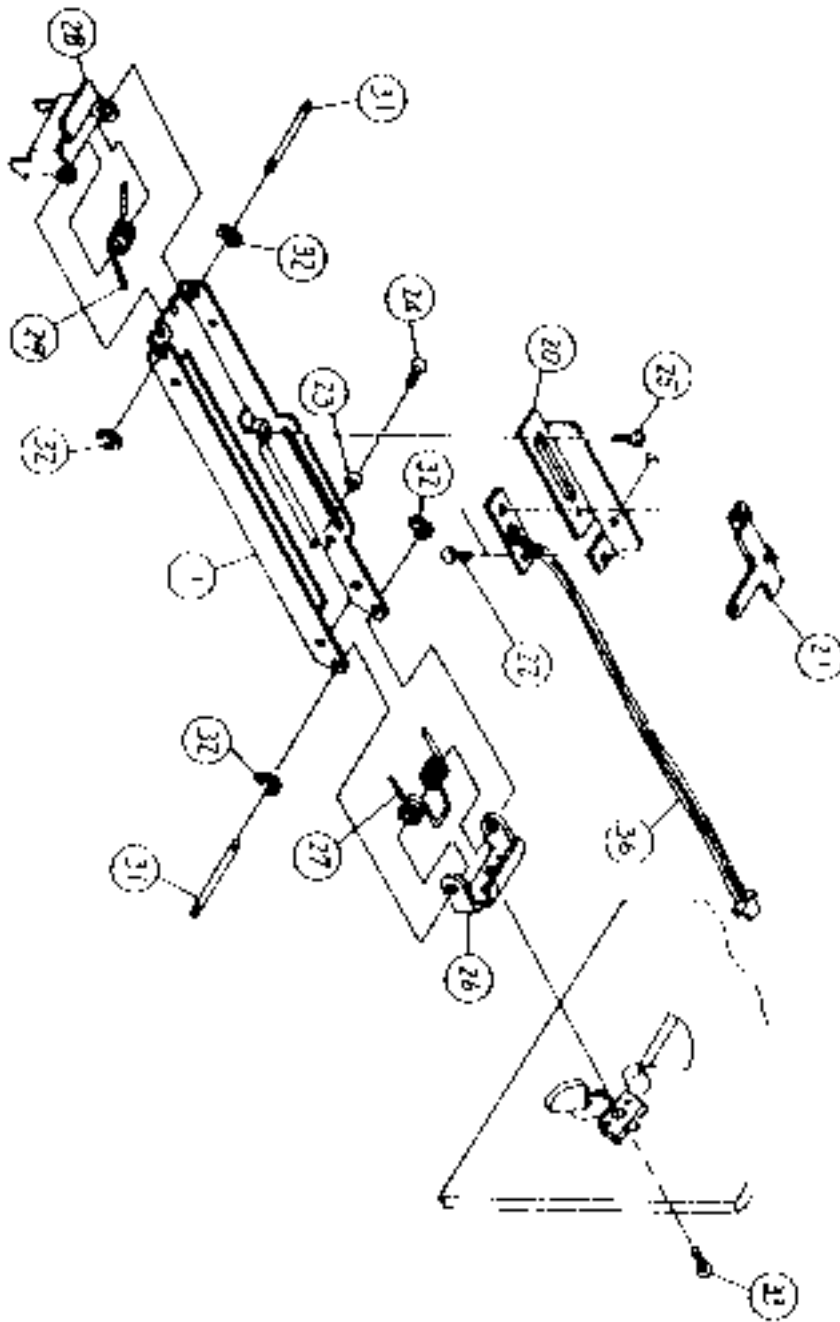


Ribbon Assembly

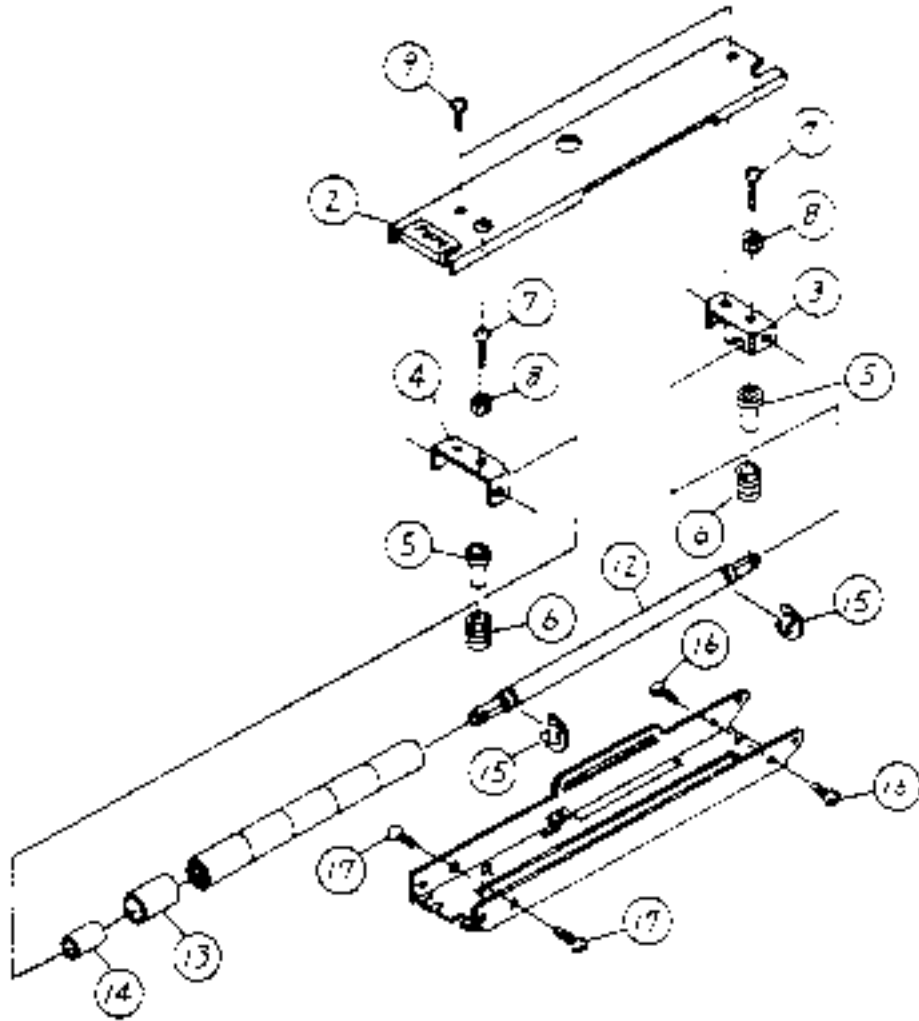


Ribbon Assembly			
Item #	Part Number	Description	QTY
1	PE4720100	Ribbon boss	2
2	PE2720100	Collar	6
3	PA4690900	Spring	8
4	MH0300521	P-tight screw	8
5	PT2301020	Dry metal	2
6	PA0680400	Disk	2
7	PC1730100	Spring (ribbon)	2
8	PE2730100	Stopper collar	2
9	PB5730100	Adjust screw	2
10	MA0303022	Pan head screw	2
11	PB0720400	Shaft (ribbon)	2
14	PE4720200	Plate holder boss	2
15	MA0301821	Pan head screw	1
16	MA0302522	Pan head screw	1
17	MT1300522	Hex nut	1
18	MH1250621	P-tight screw	4
19	PA0680300	Lining	2
20	PC0730100	Spring (back)	1
21	PE1681100	Guide plate (B)	1
22	PE7720100	Disk plate (A)	1
25	PE6720100	Disk plate cover	1
26	MD4300821	Pan head screw	3
27	PA0730100	Guide plate (B)	2
28	PA0730200	Hold plate	2
29	PA1720700	Ribbon frame	1
30	MD4400821	Pan head screw	5
31	PA1731000	Adjust plate	2
32	MD4300621	Pan head screw	4
33	MD4400821	Pan head screw	2
34	PT1114080	Ball supporter	2
35	PT1112080	Ball supporter	2
36	PR1720400	Pulley	1
37	ND0060030	E-snap ring	1
38	PT8131064	Timing belt	1
41	PR1770100	Pulley	1
42	PC0760500	Spring (ribbon)	1
43	NA1030022	Plain washer	1
44	MH0300821	P-tight screw	1
45	MT1400722	Hex nut	1
46	MD3401221	Pan head screw	1

Feed Roller Assembly

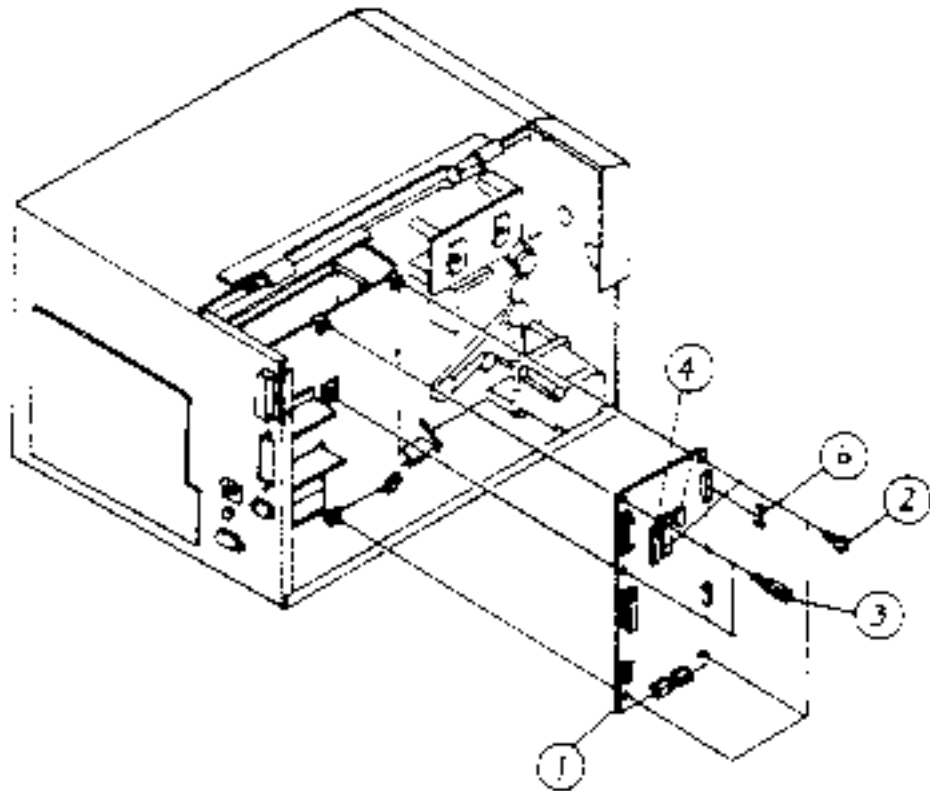


Feed Roller Assembly



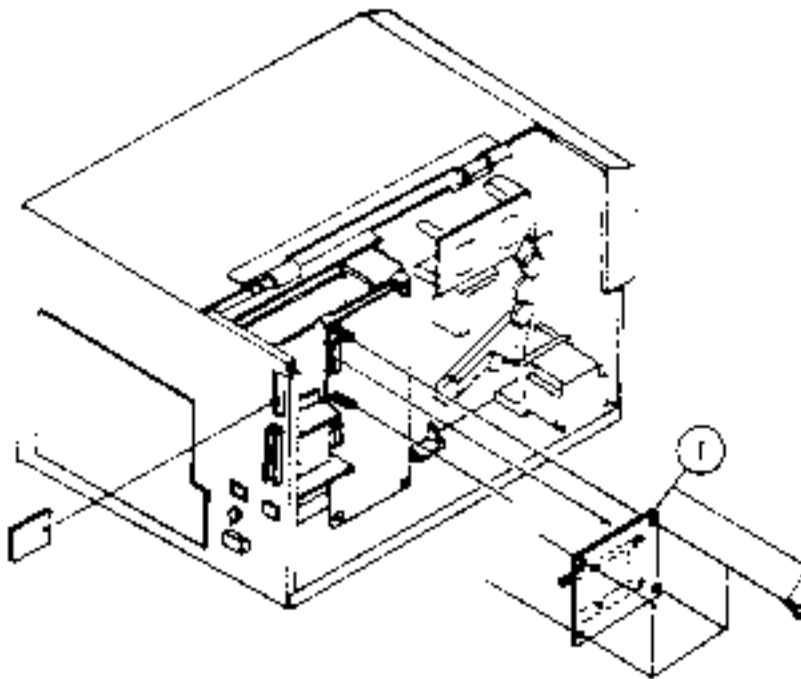
Feed Roller Assembly			
Item #	Part Number	Description	QTY
1	PR3720500	Paper lid	1
2	PR4721300	Paper lid cover	1
3	PA1720400	Roller bracket (A)	1
4	PA1720500	Roller bracket (B)	1
5	PE2730300	Stopper collar	2
6	PC1720601	Spring (pressure)	2
7	MA0301021	Pan head screw	2
8	MT1300522	Hex nut	2
9	MD4300821	Pan head screw	2
12	PB0720500	Shaft (pressure)	1
13	PE3720200	Roller	6
14	PE3720500	Roller	6
15	ND0040030	E-snap ring	2
16	MD4300821	Pan head screw	2
17	MA7300625	Truss Screw	2
20	PV3720100	PCB bracket (A)	1
21	PA1729400	PCB bracket (D)	1
22	MA0300622	Pan head screw	2
23	PB2720800	Collar	1
24	MJ9300622	Thin head screw	1
25	MD4300821	Pan head screw	1
26	PA1720300	Lid bracket	1
27	PC2740200	Spring (open)	1
28	PA3742100	Latch handle	1
29	PC2740300	Spring (latch)	1
31	PB0741100	Shaft (lid)	2
32	ND0020030	E-snap ring	4
33	MD4401621	Pan head screw	1
36	RH1724300	Pitch sensor cord	1

Main PCB Assembly



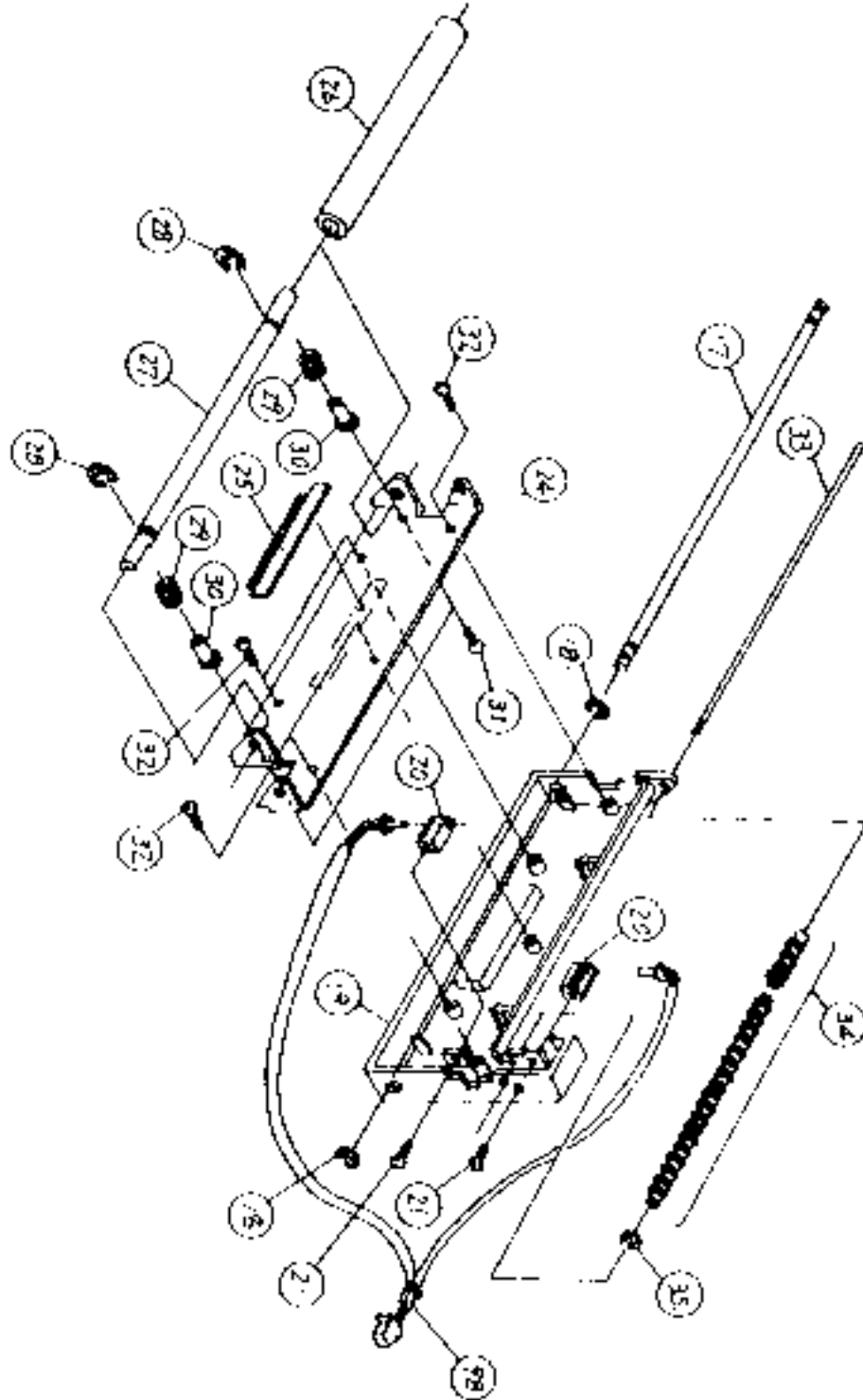
Main PCB Assembly			
Item #	Part Number	Description	QTY
1	RJ1721000	Main PCB	1
2	MD4300821	Pan head screw	3
3	PT9730200	Spacer	2
6	PC9680000	Lock spring	1

**Memory Card PCB Assembly
(Option)**

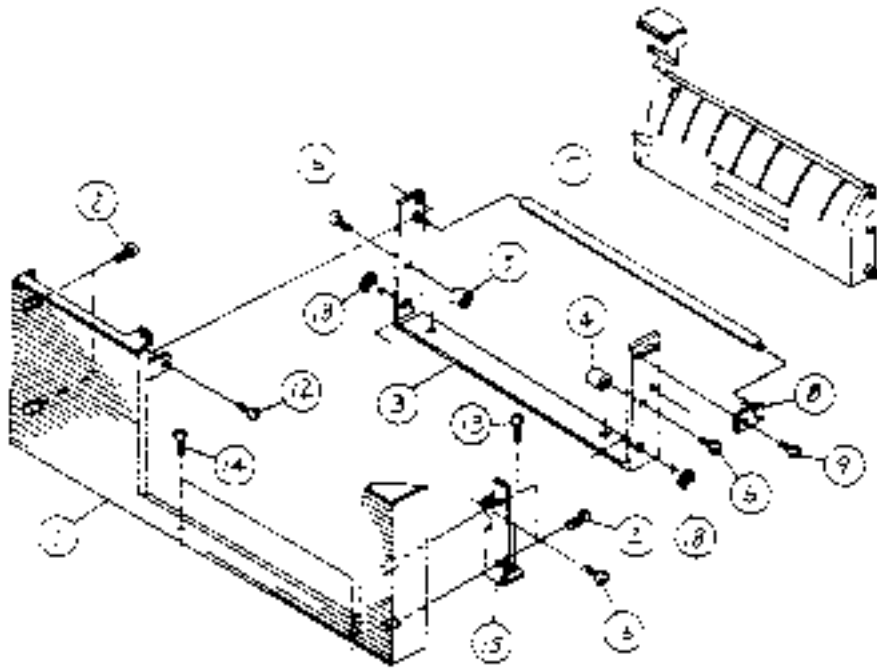


Memory Card PCB Assembly (Option)			
Item #	Part Number	Description	QTY
1	PR7721000	Card PCB set	1

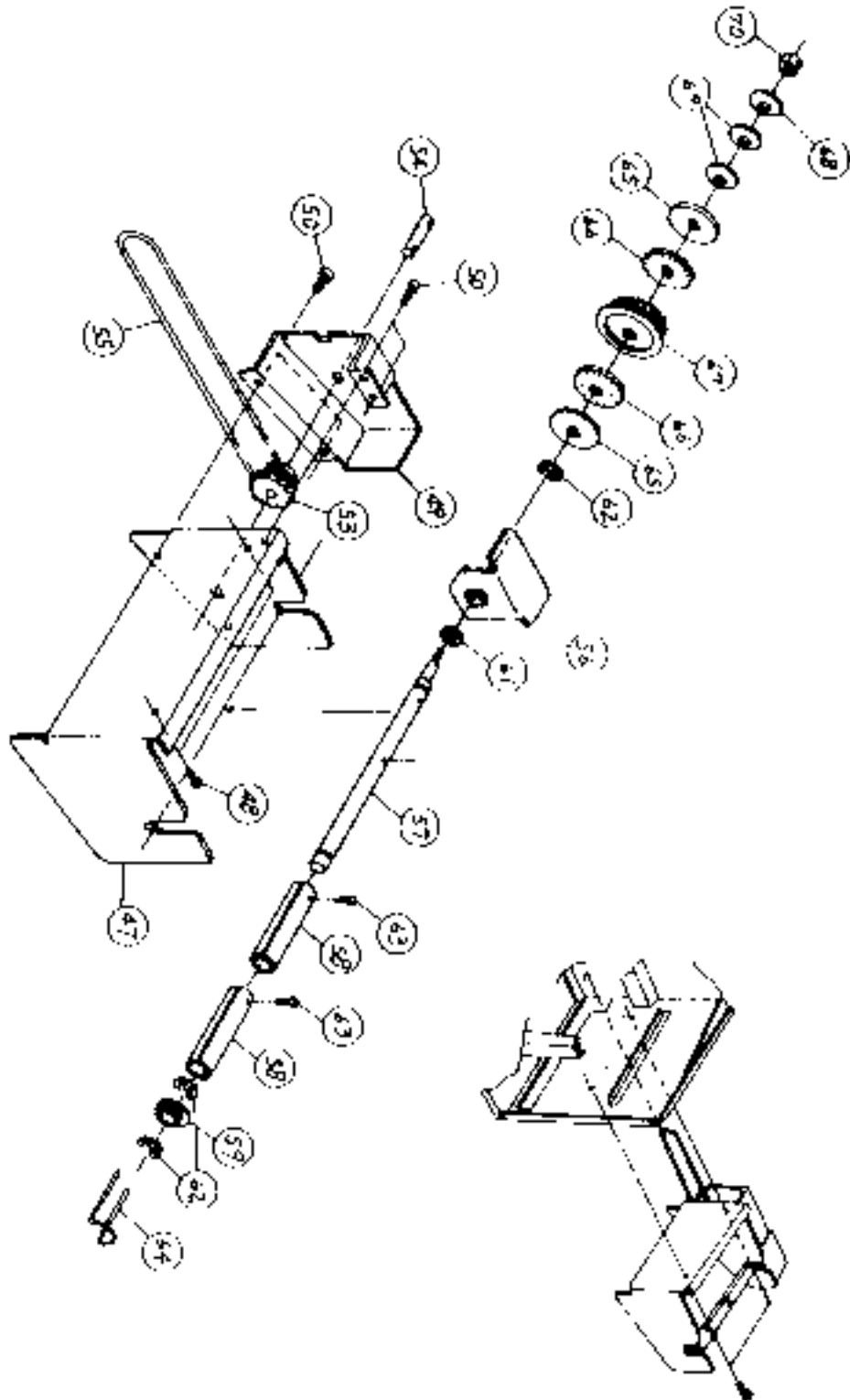
Dispenser Unit



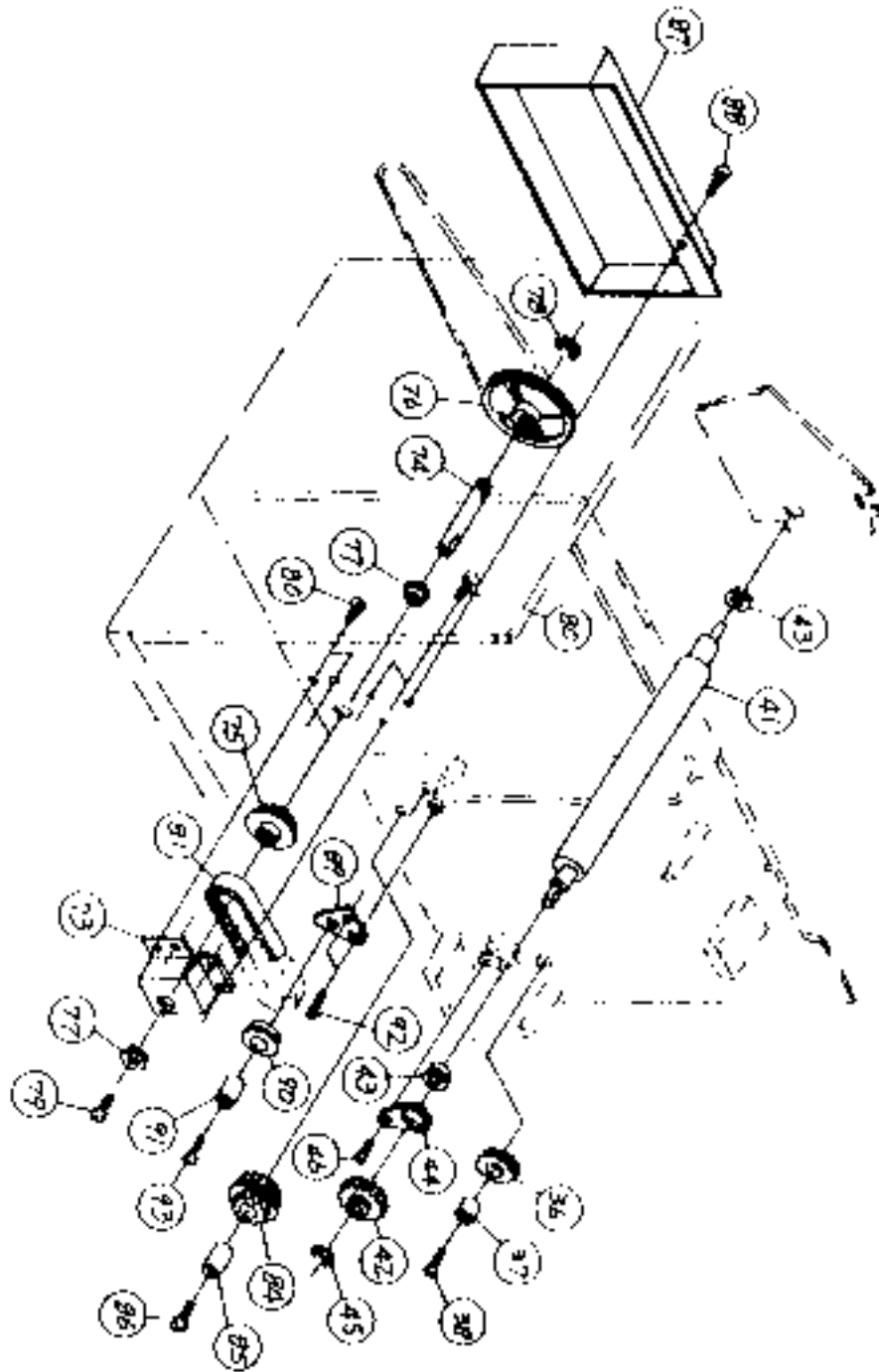
Dispenser Unit



Dispenser Unit



Dispenser Unit



CL608

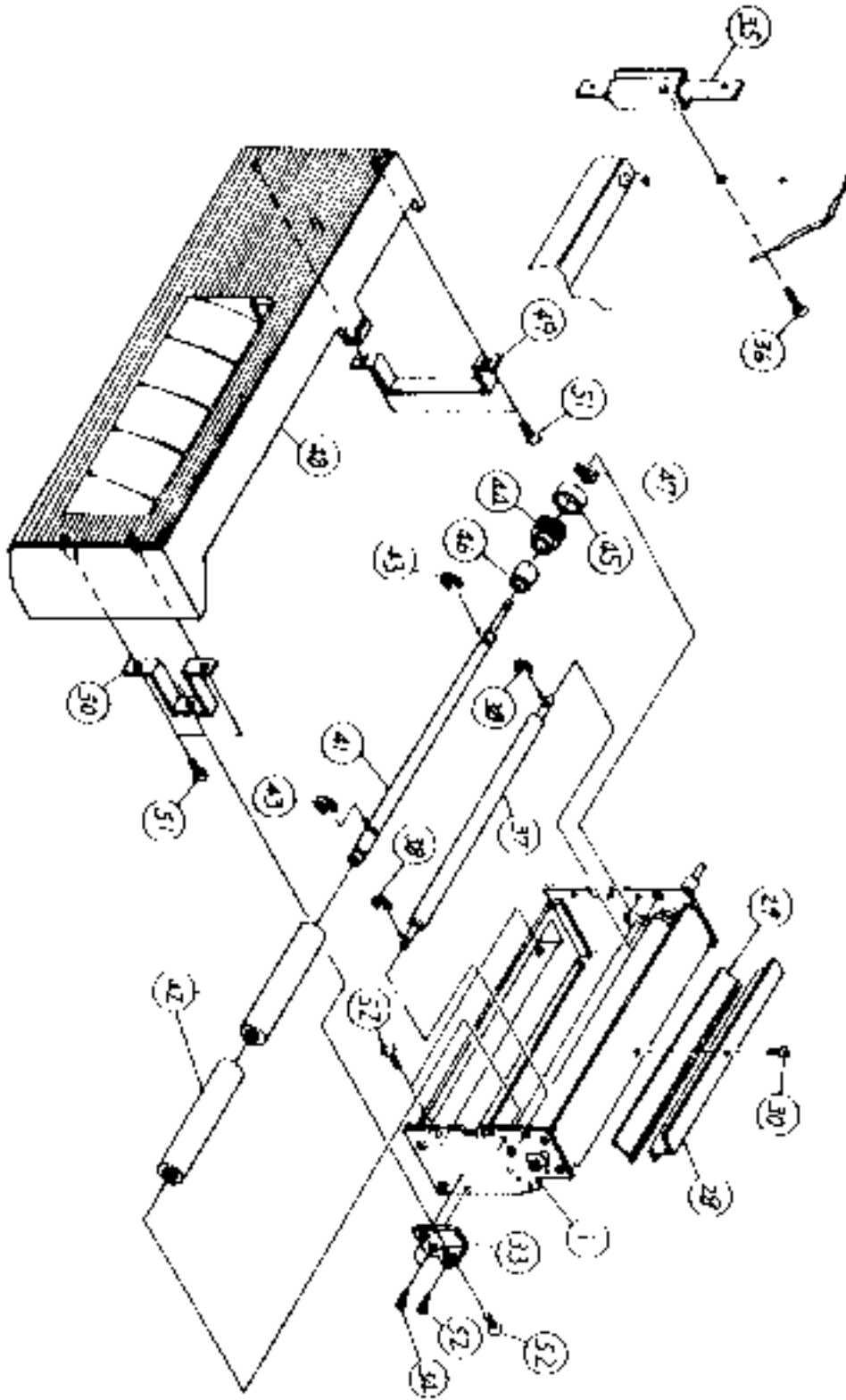
Dispenser Unit			
Item #	Part Number	Description	QTY
1	PH0720400	Dispense cover	1
2	MH0300821	P-tight screw	4
3	PA1724701	Dispense frame	1
4	PB0721600	Post (latch) RH	1
5	PB0721700	Post (latch) LH	1
6	MD4300621	Pan head screw	2
7	PA1724600	Dispense bar	1
8	PA1724500	Adjust plate	1
9	MD4300621	Pan head screw	1
12	MD4301021	Pan head screw	1
13	MD4300821	Pan head screw	1
14	MA7300625	Truss screw	2
15	PA1724800	Dispense cover bracket	1
16	MD4300621	Pan head screw	1
17	PB0721400	Shaft (guide)	1
18	ND0030030	E-snap ring	4
19	PE1720400	Dispense bracket	1
20	PE1570300	Dispense sensor bracket	2
21	MH0250621	P-tight screw	2
24	PA1724400	Roller bracket	1
25	PR1340500	Antistatic brush	1
26	PR1520200	Pressure roller	1
27	PB0721200	Shaft (pressure roller)	1
28	ND0040030	E-snap ring	2
29	PC1010200	Head spring	2
30	PE2730300	Stopper collar	2
31	MD4300821	Pan head screw	2
32	MH0300821	P-tight screw	5
33	PB0721300	Shaft (dispense roller)	1
34	PE3520600	Dispense roller	7
35	ND0020030	E-snap ring	1
36	PE8720800	Gear	1
37	PB2720100	Collar	1
38	MD4401421	Pan head screw	1
41	PR0720300	Feed roller	1
42	PE8720700	Gear	1
43	PT1112060	Ball supporter	2
44	PA1680200	Bearing clamp	1
45	ND0040030	E-snap ring	1
46	MD4300821	Pan head screw	1
47	PA1725200	Rewind frame	1
48	MD4300821	Pan head screw	2

CL608

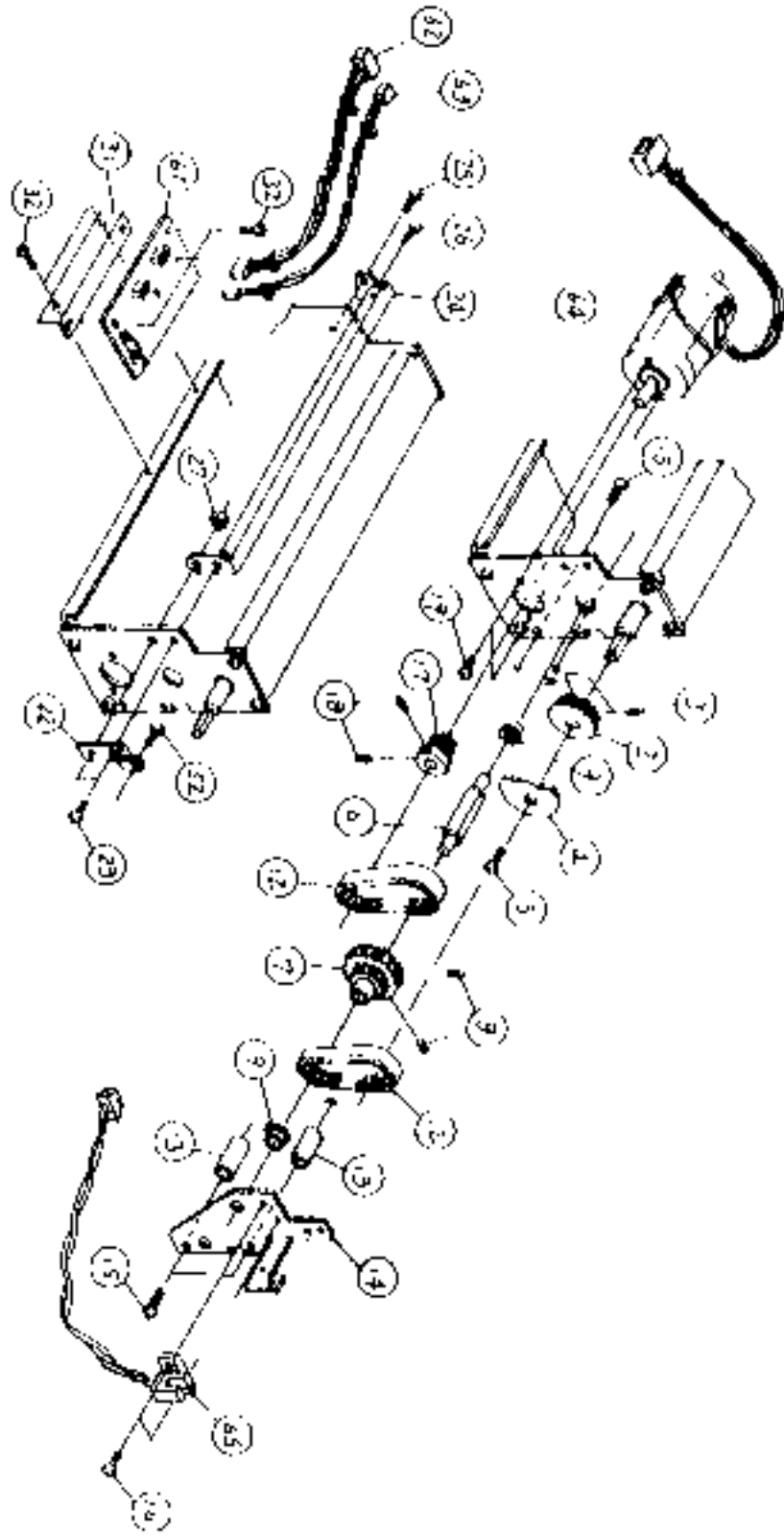
Dispenser Unit			
Item #	Part Number	Description	QTY
49	PA1725100	Side frame	1
50	MD4300621	Pan head screw	4
53	PE8721000	Gear	1
54	PB0721800	Shaft (idle gear)	1
55	PR4720600	Rewind belt	1
56	PR1720700	Rewind handle	1
57	PB0721900	Shaft (rewind)	1
58	PB4720100	Rewind core	2
59	PL2720200	Bush	1
61	NA0060022	Plain washer	2
62	ND0040030	E-snap ring	3
63	MD4301221	Pan head screw	2
64	PC3720100	Rewind knob	1
65	PA1724900	Flange	2
66	PJ4720100	Lining	2
67	PE8721100	Gear	1
68	PB9720100	Adjust nut	1
69	NB5100030	Spring	2
70	MT1400722	Hex nut	1
73	PA1725300	Idle shaft bracket	1
74	PB0722000	Shaft (idle gear)	1
75	PE8721200	Pulley	1
76	PE8520500	Rewind pulley	1
77	PT1112060	Ball supporter	2
78	ND0040030	E-snap ring	1
79	MD4300621	Pan head screw	1
80	MD4300621	Pan head screw	4
81	PT8095064	Timing belt	1
84	PE8720900	Gear	1
85	PB2720200	Collar	1
86	MD4402221	Pan head screw	1
87	PA1725400	Belt cover	1
88	MD4300621	Pan head screw	1
89	PA1723100	Tension bracket (A)	1
90	PE3720100	Tension roller	1
91	PB2720600	Collar	1
92	MD4300821	Pan head screw	2
93	MD4401421	Pan head screw	1
98	RH1721100	Dispense sensor	1

CL608

Cutter Unit



Cutter Unit



Cutter Unit			
Item #	Part Number	Description	QTY
1	PR1720800	Cutter set	1
2	PR1691401	Cutter pulley	1
3	MJ1300424	W-point screw	2
4	PA1725500	Sensor slit	1
5	MD4300621	Pan head screw	1
6	PB0722200	Shaft (idle gear)	1
7	PE8721300	Pulley	1
8	MJ1300424	W-point screw	2
9	PT1107030	Ball supporter	2
12	PU3112060	Timing belt	2
13	PB0722100	Posy (idle gear)	2
14	PA1725600	Sensor bracket	1
15	MD4300821	Pan head screw	4
16	MD3300621	Pan head screw	2
17	PL1720300	Motor pulley	1
18	MJ1300424	W-point screw	2
19	MD4300821	Pan head screw	2
22	PA1725700	Cover bracket (A)	1
23	MD4301021	Pan head screw	2
24	PA1728500	Cutter protector (B)	1
25	MD4300621	Pan head screw	1
26	MD3401021	Pan head screw	1
27	MT1300521	Hex nut	2
28	PA1726200	Cutter protector (A)	1
29	PA6720200	Film (cutter)	1
30	MD3300621	Pan head screw	1
31	PA1726000	PCB bracket	1
32	MD3300621	Pan head screw	4
33	PA2720700	Cover bracket (F)	1
34	MD4300621	Pan head screw	2
35	PA2720500	Cover bracket (E)	1
36	MD4301021	Pan head screw	1
37	PB0722300	Feed roller (cutter)	1
38	ND0020030	E-snap ring	2
41	PB0722400	Shaft (feed roller)	1
42	PR1720900	Roller (cutter)	2
43	ND0050030	E-snap ring	2
44	PE8721400	Pulley	1
45	PV9720700	Ring	1
46	PB2720700	Collar	1
47	ND0020030	E-snap ring	1
48	PR1721000	Cover (cutter)	1

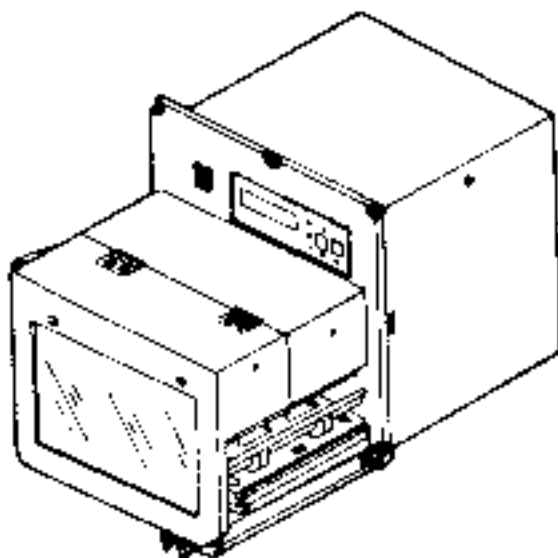
Cutter Unit			
Item #	Part Number	Description	QTY
49	PA2720400	Cover bracket (D)	1
50	PA2720800	Cover bracket (G)	1
51	MH0300821	P-tight screw	4
52	MD4301021	Pan head screw	5
61	RJ1723500	Cut PCB set	1
62	RH1722000	Cut P	1
63	RH1722100	Cut S	1
64	RH1722200	DCM motor cord	1
65	RH1722300	Cutter sensor cord	1



CL608

Spare Parts List

(Use with printer serial numbers between 50100000 and 81199999)



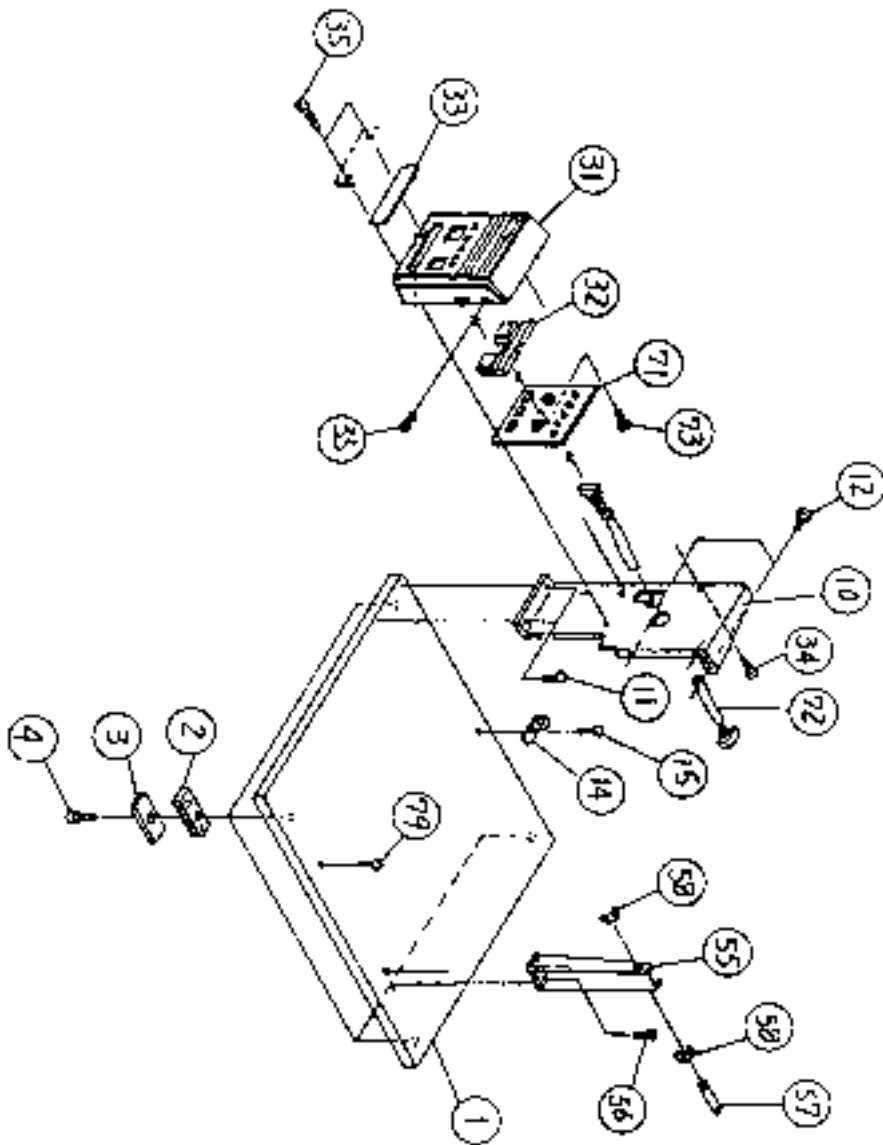
SATO America, Inc.
545 Weddell Drive
Sunnyvale, Ca 94089
Tel (408) 745-1300
Fax (408) 745-1309

P/N 9001026 REV. C

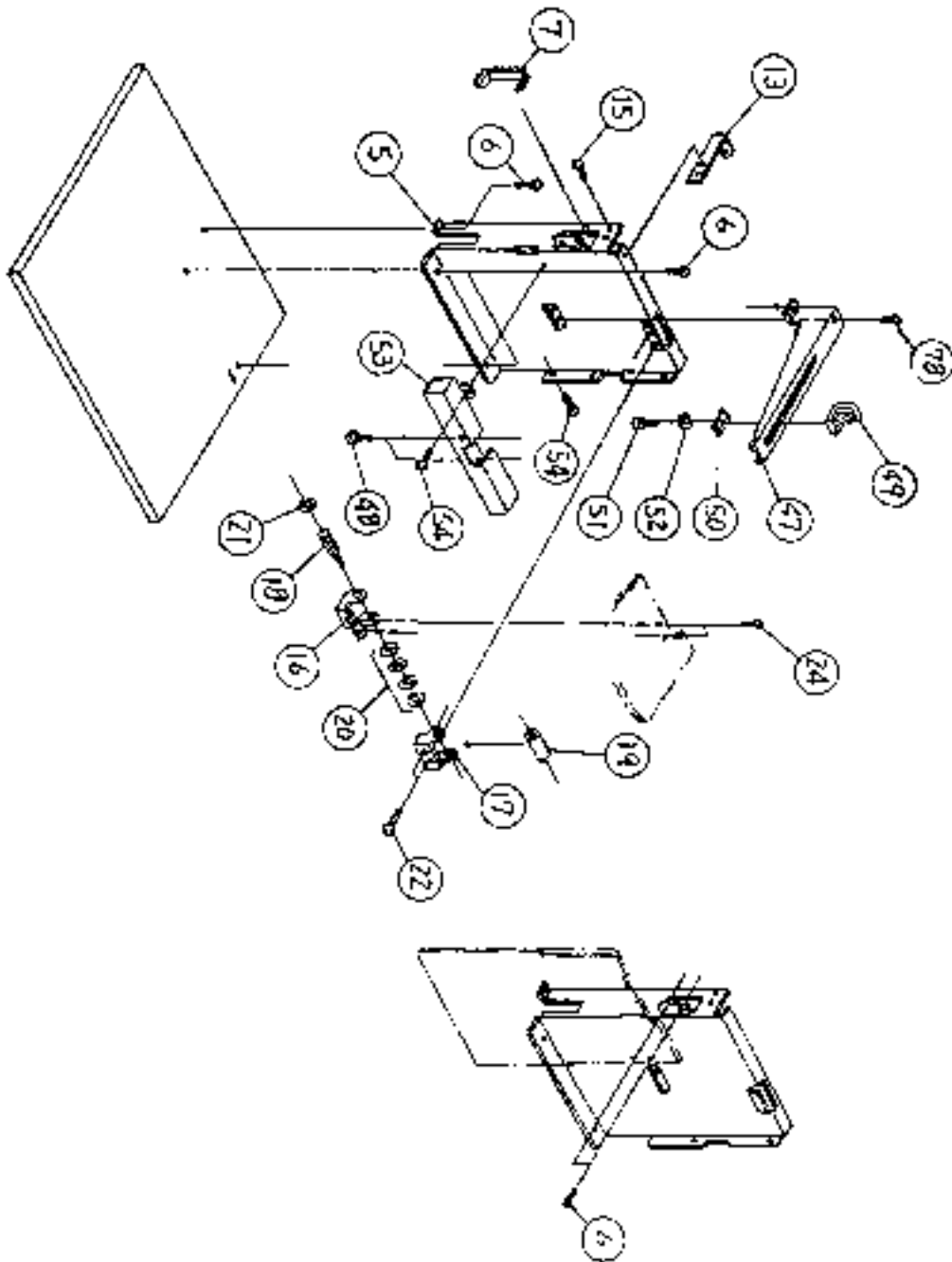
Table of Content

Base Cover Assembly	43-48
Frame Assembly	49-54
Thermal Head Assembly	55-58
Ribbon Assembly	59-60
Feed Roller Assembly	61-62
Main PCB Assembly	63-63
Memory Card PCB Assembly (Option)	64-64
Limited Parts Assembly	65-66
Dispenser Unit	67-72
Cutter Unit	73-76

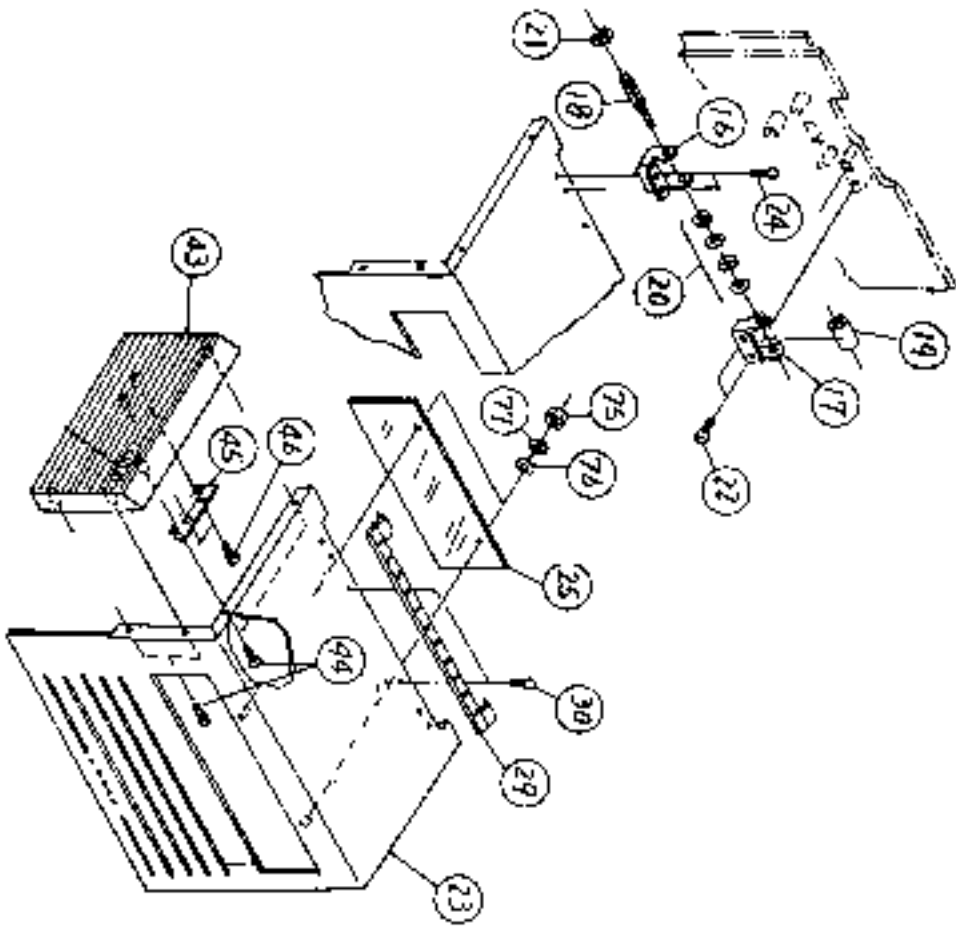
Base Cover Assembly



Base Cover Assembly



Base Cover Assembly



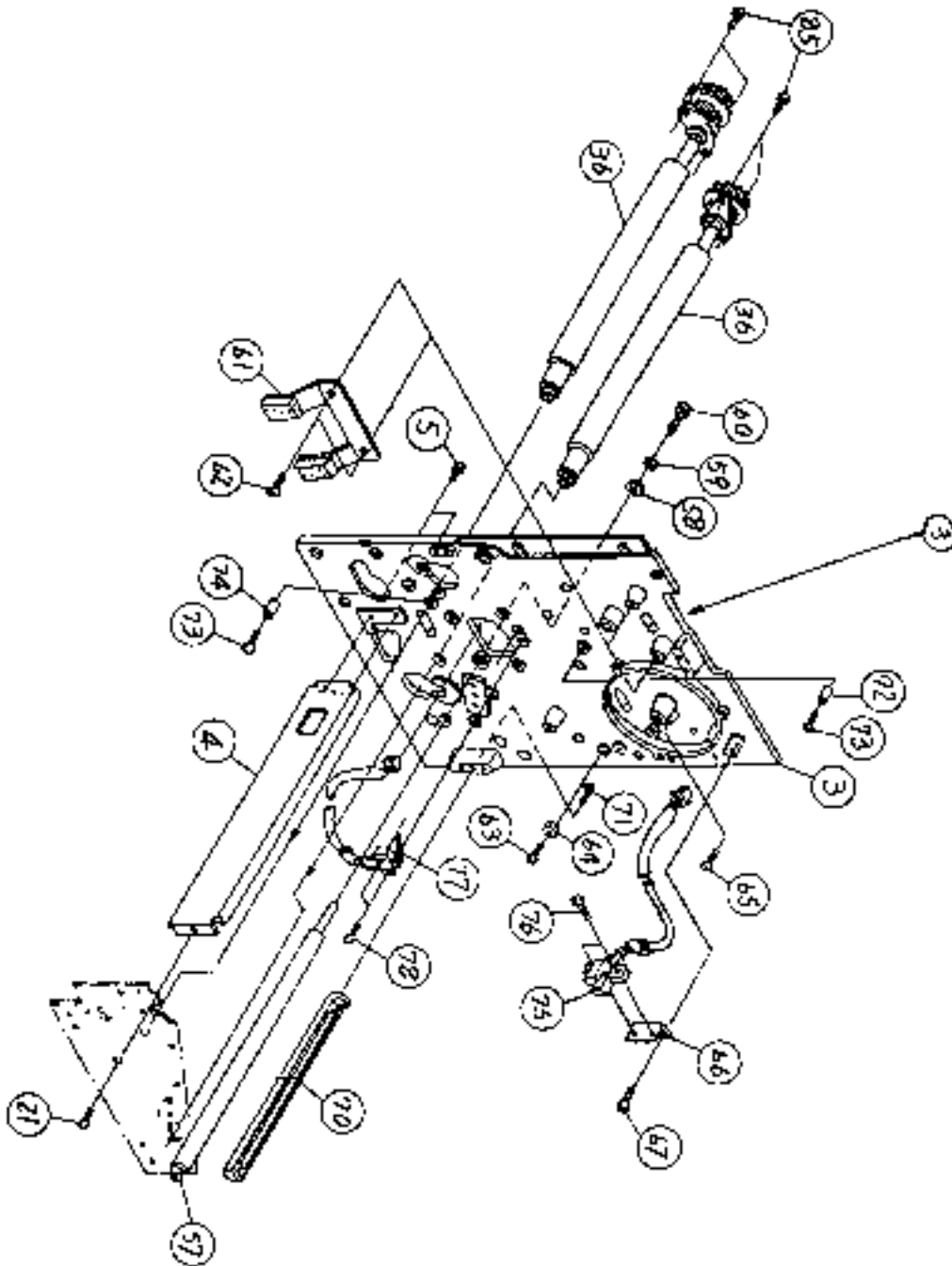
CL608

Base Cover Assembly			
Item #	Part Number	Description	QTY
01	PH1720101	Base frame	1
02	PE6721100	Foot	4
03	PV2720100	Foot rubber	4
04	MD4301021	Pan head screw	4
05	PH1720200	Center frame	1
06	MD4400821	Pan head screw	5
07	PV9720200	Bush	1
08	PZ0720101	Rear cover	1
09	MD4300621	Pan head screw	6
10	PH1720400	Front frame	1
11	MD3400821	Pan head screw	2
12	MD4400821	Pan head screw	3
13	PA1722100	PCB bracket (A)	1
14	PA1722200	PCB bracket (B)	1
15	MD4300621	Pan head screw	2
16	PA1722300	Hinge bracket (A)	2
17	PA1722400	Hinge bracket (B)	2
18	PB5720100	Screw (M)	2
19	PB5720200	Screw (F)	2
20	NB5100030	Spring	8
21	ND3120024	C-ring	2
22	MD4300821	Pan head screw	4
23	PR4720100	Cover RH	1
24	MD4300621	Pan head screw	4
25	PH2720100	Window	1
26	PH1720601	Cover LH	1
27	MD4300621	Pan head screw	5
28	PE6720900	Hinge cover (LH)	1
29	PE6721000	Hinge cover (RH)	1
30	MA7300625	Truss screw	4
31	PR4720200	Keyboard cover	1
32	PE6720800	Switch button	1
33	PR4720300	Dip-sw cover	1
34	MH0300821	P-tight screw	1
35	MD4301021	Pan head screw	3
36	PH0720200	Front cover	1
37	PA1722500	Front cover bracket (A)	1

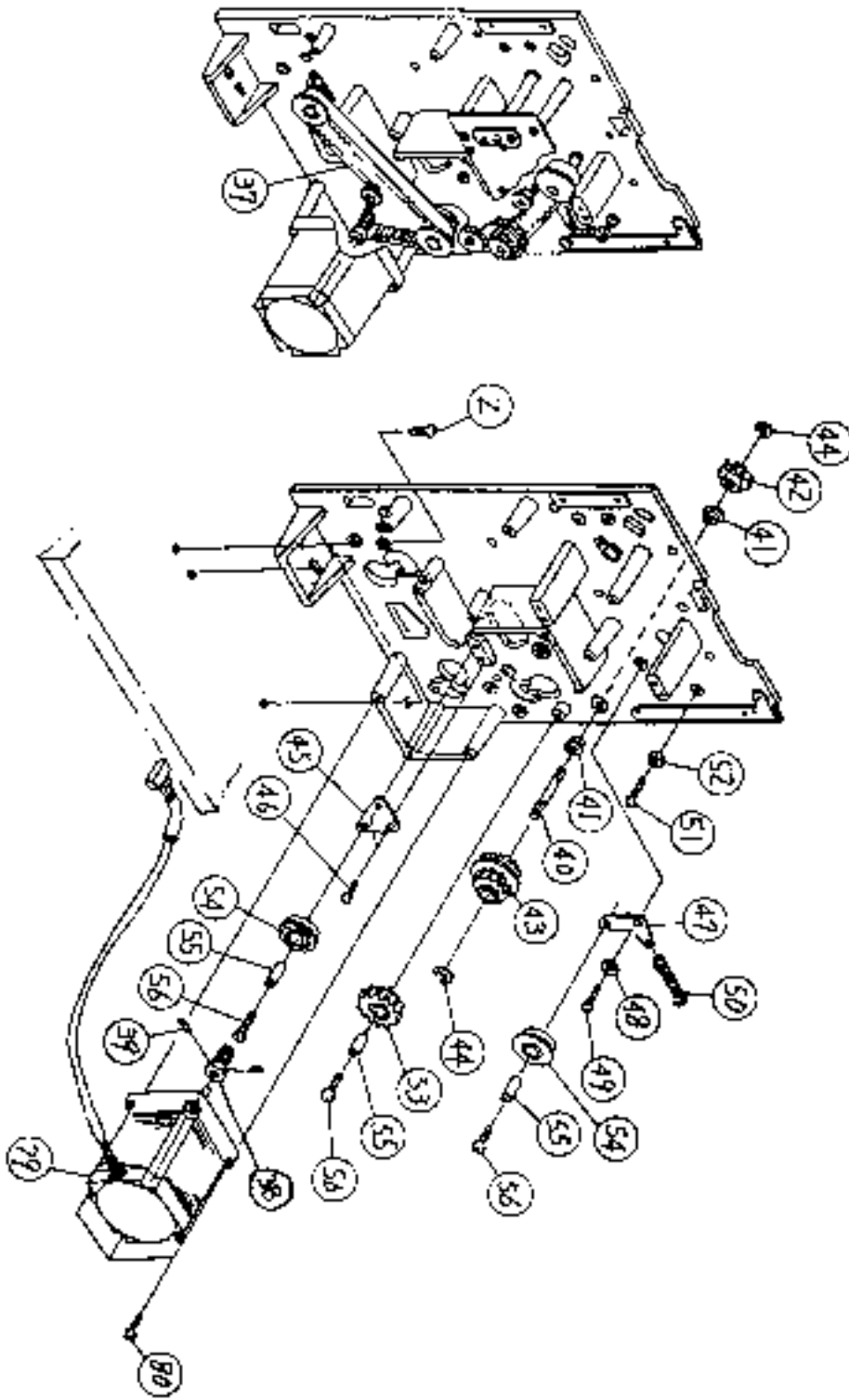
CL608

Base Cover Assembly			
Item #	Part Number	Description	QTY
38	PA1722600	Front cover bracket (B)	1
39	MH0300821	P-tight screw	6
40	MD4300621	Pan head screw	3
41	PA1724000	Tear-off cutter	1
42	MH0300821	P-tight screw	2
43	PH0720300	Cover RH sub	1
44	MH0300821	P-tight screw	4
45	PR1340500	Brush	1
46	MH0300821	P-tight screw	2
47	PA1723600	Paper holder	1
48	MD4300621	Pan head screw	2
49	PE1720300	Label stopper	1
50	PA4520300	Stopper SP	1
51	MH0300821	P-tight screw	1
52	NA1030021	Flat washer	1
53	PA1723700	Unwind bracket (A)	1
54	MD4300621	Pan head screw	2
55	PR3720100	Unwind bracket (B)	1
56	MD4300621	Pan head screw	2
57	PB0722500	Shaft (unwind)	1
58	ND0030030	E-snap ring	2
65	PR7720200	Power supply unit set (UL)	1
67	MD4300621	Pan head screw	4
69	RH1720000	Pow cord set (POW1)	1
70	RH1720100	Pow cord set (POW2)	1
71	RJ1721600	Display PCBA	1
72	RH1720400	Cable Assy	1
73	MH0300821	P-tight screw	1
75	MT1300521	Hex nut	2
76	NA1030021	Flat washer	2
77	NB0030021	Wave washer	2
78	MD4400821	Pan head screw	1
79	MH4300621	S-tight screw	1

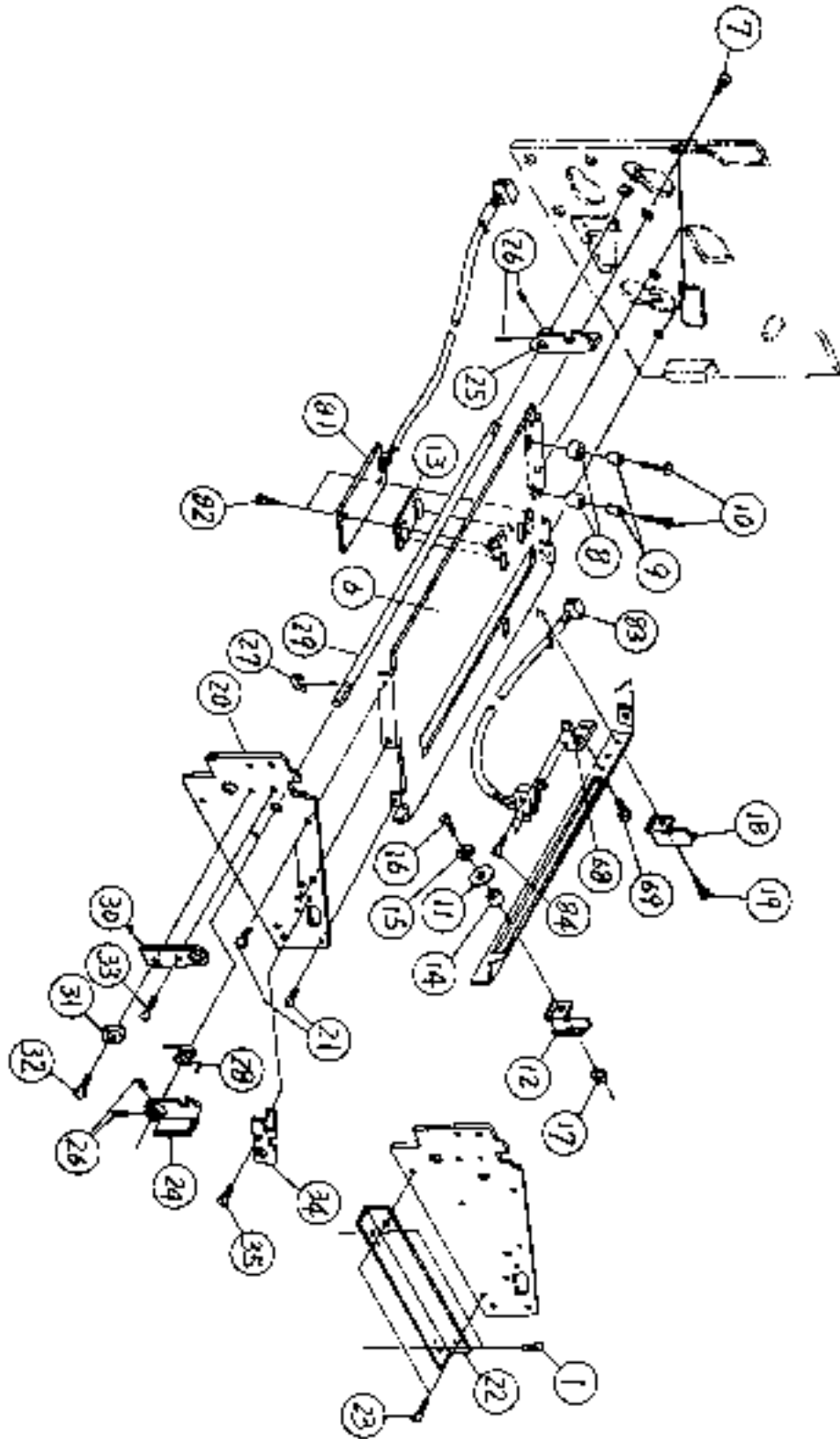
Frame Assembly



Frame Assembly



Frame Assembly



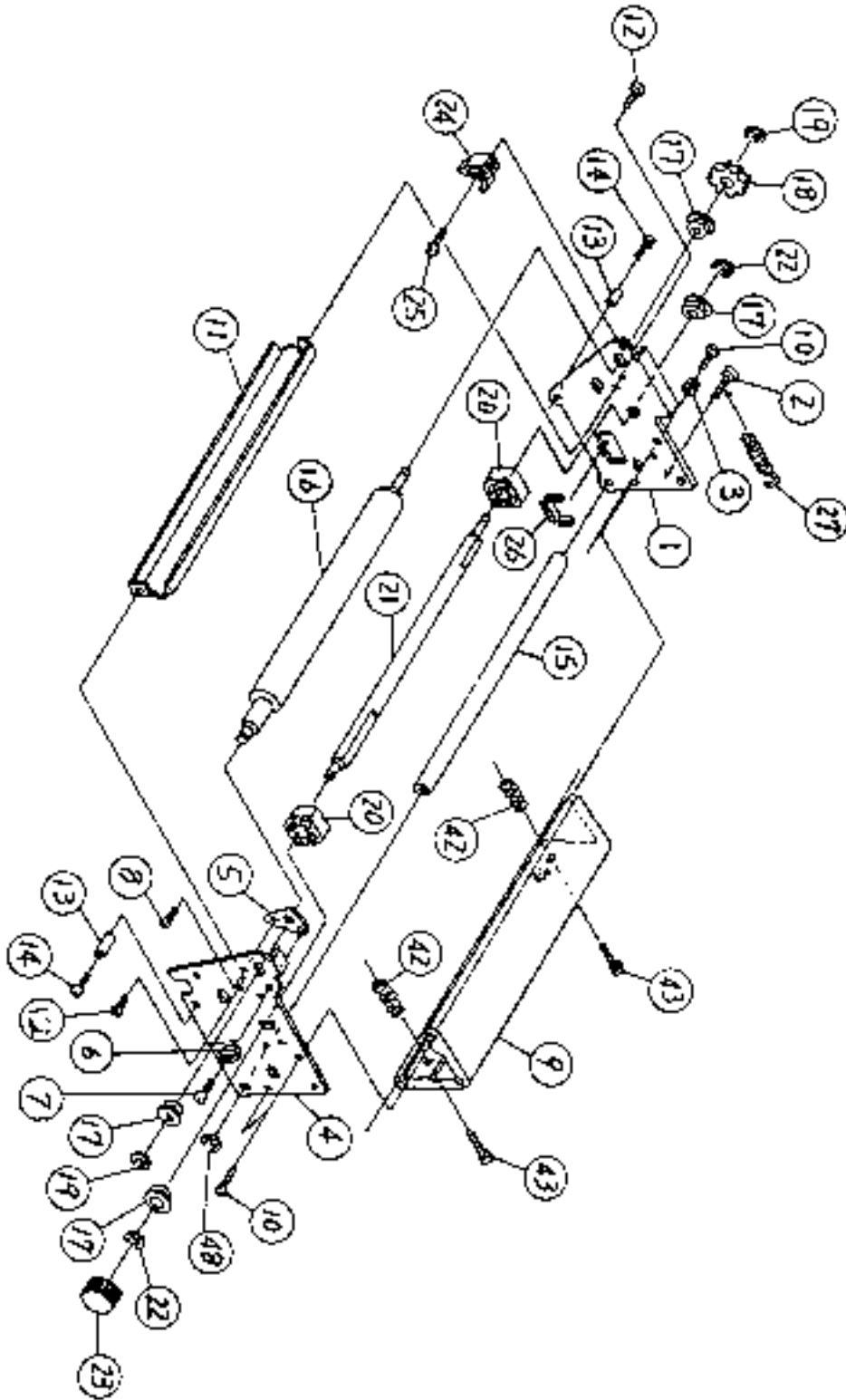
Frame Assembly			
Item #	Part Number	Description	QTY
01	MD4400821	Pan head screw	2
02	MD4401221	Pan head screw	2
03	PL1720200	Engine frame	1
04	PA1721600	Support frame (A)	1
05	MD4301221	Pan head screw	2
06	PR3720200	Paper guide	1
07	MD4301221	Pan head screw	3
08	PE3720300	Roller	2
09	PB2740100	Collar	2
10	MD4301021	Pan head screw	2
11	PT9720100	Spacer	1
12	PA1722800	Guide plate (A)	1
13	PE6720200	Sensor protector	1
14	PB2720500	Collar	1
15	NB6060024	Wave washer	1
16	MD4301021	Pan head screw	1
17	MT1300521	Hex nut	1
18	PA1722900	Guide plate (B)	1
19	MD4300621	Pan head screw	1
20	PA1723000	Side frame	1
21	MD4300621	Pan head screw	4
22	PA1720800	Frame bracket	1
23	MD4300621	Pan head screw	2
24	PR4720400	Latch handle (A)	1
25	PR1720600	Latch handle (B)	1
26	MJ1300324	W-point screw	4
27	ND0050030	E-snap ring	1
28	PC2720100	Spring (latch handle)	1
29	PB0720700	Shaft (latch handle)	1
30	PA1720900	Plate (adjust A)	1
31	PL2720100	Adjust collar	1
32	MD4300821	Pan head screw	1
33	MD4400821	Pan head screw	1
34	PA1721000	Plate (adjust B)	1
35	MD4400821	Pan head screw	1
36	PR7720100	Platen roller sub	2
37	PT8180064	Timing belt	1
38	PL1720100	Motor pulley	1

CL608

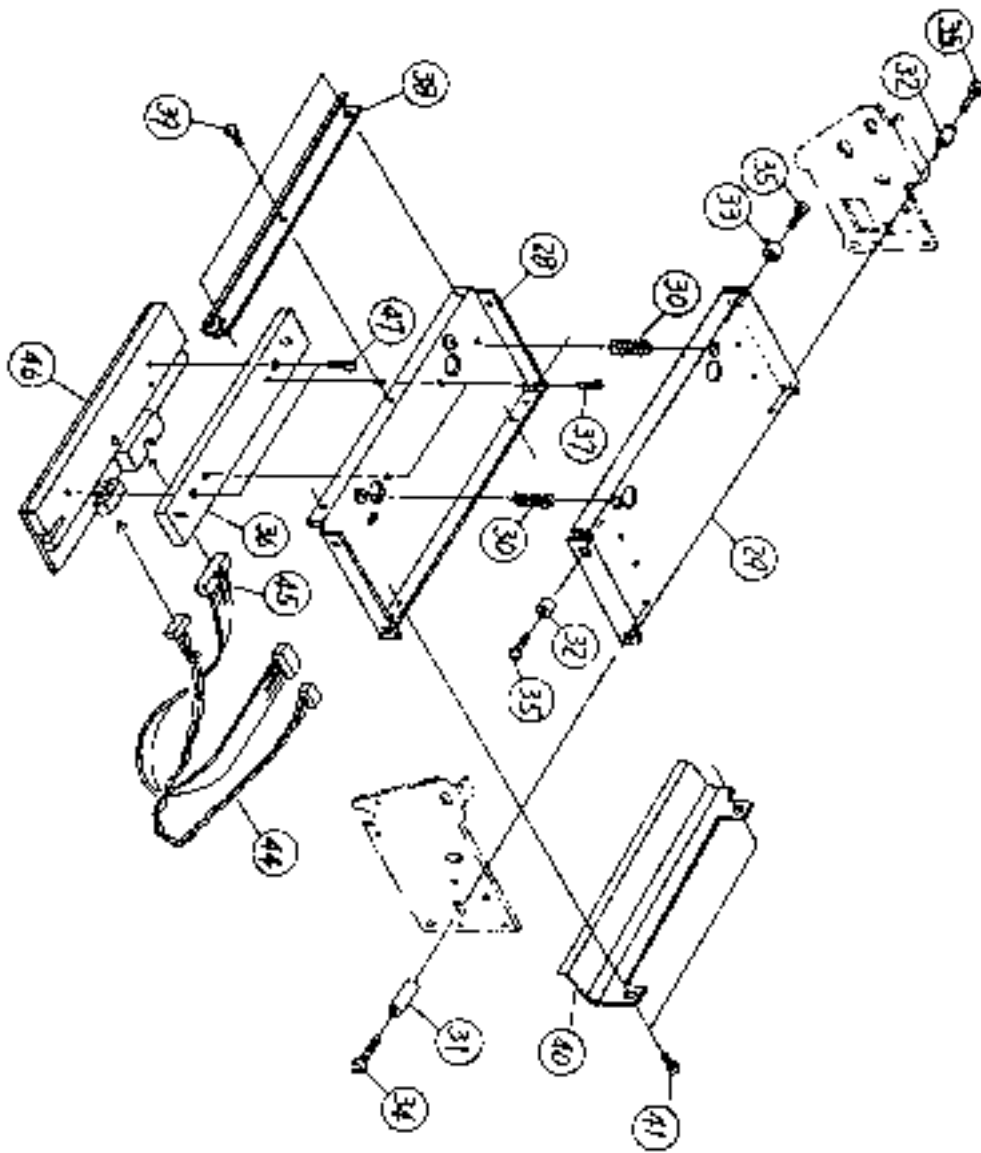
Frame Assembly			
Item #	Part Number	Description	QTY
39	MJ1400624	W-point screw	2
40	PB0720800	Shaft (idle gear)	1
41	PT1112060	Ball supporter	2
42	PE8720100	Gear	1
43	PE8720400	Gear pulley	1
44	ND0040030	E-snap ring	2
45	PA1723100	Tension bracket (A)	1
46	MD4300821	Pan head screw	2
47	PA1723200	Tension bracket (B)	1
48	PB2720400	Collar	1
49	MD4401021	Pan head screw	1
50	PC0740100	Spring (tension)	1
51	MA0301021	Pan head screw	1
52	MT1300521	Hex nut	1
53	PE8720300	Gear	1
54	PE3720100	Tension roller	2
55	PB2720600	Collar	3
56	MD4401421	Pan head screw	3
57	PB0721100	Shaft (head)	1
58	PA0720100	Collar	1
59	NB0050021	Spring washer	1
60	MN1501030	Bolt	1
61	PR4740100	Spring (tension)	1
62	MD4300621	Pan head screw	2
63	MA0301221	Pan head screw	2
64	MT1300521	Hex nut	2
65	MD3300621	Pan head screw	1
66	PA3730200	Sensor bracket (ribbon)	1
67	MD3300621	Pan head screw	1
68	PA1723500	Switch bracket	1
69	MD4300621	Pan head screw	1
70	PE1520300	Label guide shaft	1
71	MH0301221	P-tight screw	1
72	PE1010400	Guide roller (A)	1
73	MA0301221	Pan head screw	2
74	PB2720500	Collar	1
75	RH1721000	Ribbon sensor cord (SEN3)	1
76	MA0300621	Pan head screw	2

Frame Assembly			
Item #	Part Number	Description	QTY
77	RH1721200	Head open sw cord (SEN5)	1
78	MD4201221	Pan head screw	2
79	RH1720500	Motor cord set (STP)	1
80	MD3401221	Pan head screw	3
81	RH1720600	Pitch sensor code sub (SEN1)	1
82	MD3300621	Pan head screw	2
83	RH1721400	Paper end SW code set (SEN7)	1
84	MD4201221	Pan head screw	2
85	MD4300821	Pan head screw	4

Thermal Head Assembly



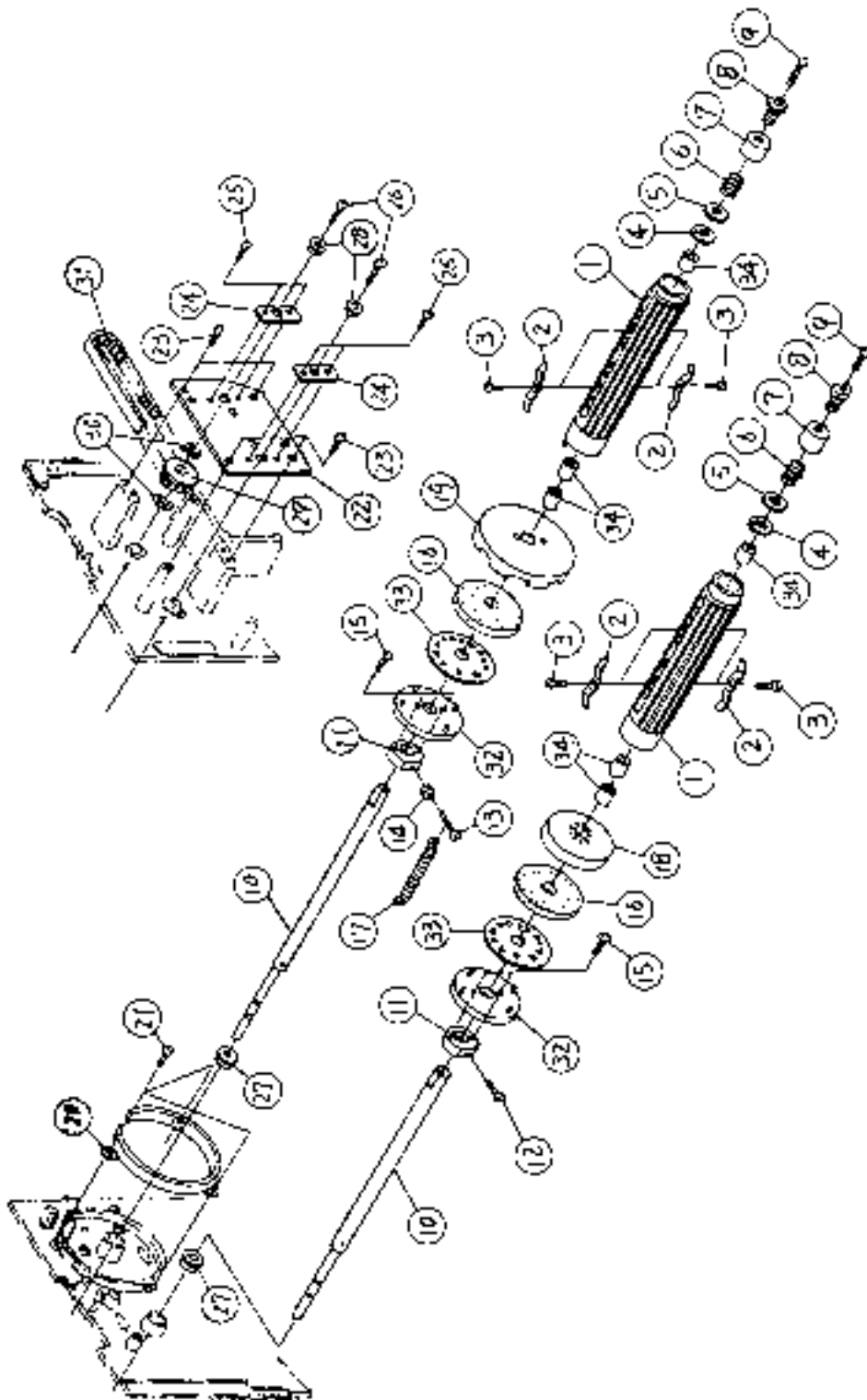
Thermal Head Assembly



Thermal Head Assembly			
Item #	Part Number	Description	QTY
01	PA1721700	Head frame (LH)	1
02	MA0301021	Pan head screw	2
03	MT1300521	Hex nut	2
04	PA1721800	Head frame (RH)	1
05	PA1721200	Plate (adjust C)	1
06	PL2720100	Adjust collar	1
07	MD4300821	Pan head screw	1
08	MD4300621	Pan head screw	1
09	PD1720400	Stay	1
10	MD3401021	Pan head screw	4
11	PA1721500	Support plate (B)	1
12	MD4300621	Pan head screw	2
13	PB2720100	Collar	2
14	MD3401021	Pan head screw	2
15	PR1720100	Roller	1
16	PR0720200	Feed roller	1
17	PL2720400	Bush	4
18	PE8720100	Gear	1
19	ND0040030	E-snap ring	2
20	PE1720100	Cam (head pressure)	2
21	PB0720600	Shaft (head pressure)	1
22	ND0040030	E-snap ring	2
23	PE1720200	Knob	1
24	PE6720500	Protector (B)	1
25	MD4300621	Pan head screw	1
26	PV9720100	Bush	1
27	PC0720100	Spring (open)	1
28	PA1721900	Head bracket (A)	1
29	PA1722000	Head bracket (B)	1
30	PC1720100	Spring (head)	2
31	PB2720200	Collar	1
32	PB2720300	Collar	2
33	PB2720400	Collar	1
34	MD4402021	Pan head screw	1
35	MD4400821	Pan head screw	3
36	PR1720200	Head sub holder	1
37	MD4300821	Pan head screw	2
38	PA1721300	Plate (ribbon adjust)	1

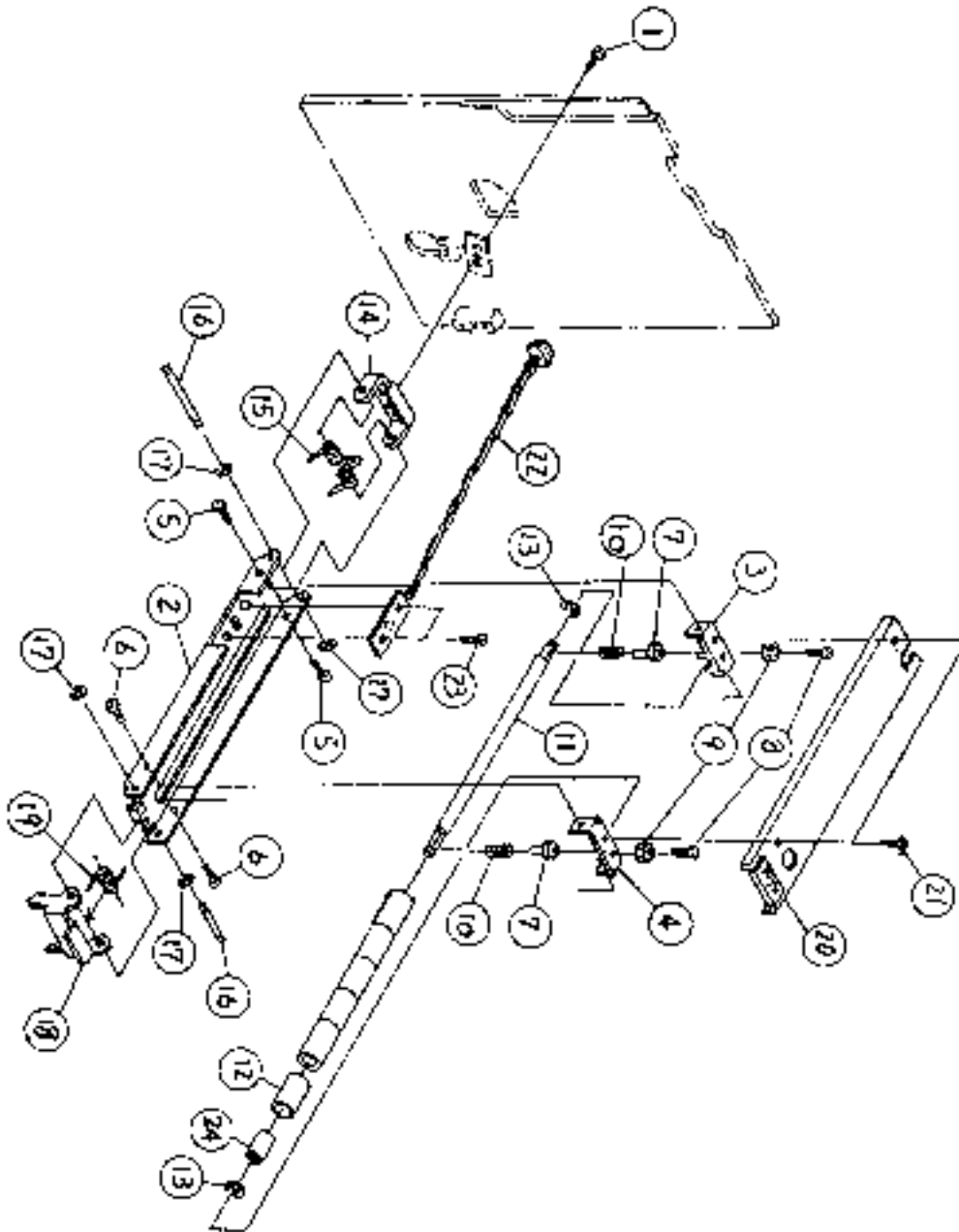
Thermal Head Assembly			
Item #	Part Number	Description	QTY
39	MD4300621	Pan head screw	3
40	PA1721400	Head cable cover	1
41	MD4300621	Pan head screw	2
42	PC1690201	Spring	2
43	MN1301630	Hex bolt	2
44	RH1720200	Head cord set (HDP)	1
45	RH1720301	Head cord set (HDS)	1
46	GH000451A	Thermal head	1
47	MD4301021	Pan head screw	2
48	ND0060030	E-snap ring	1

Ribbon Assembly



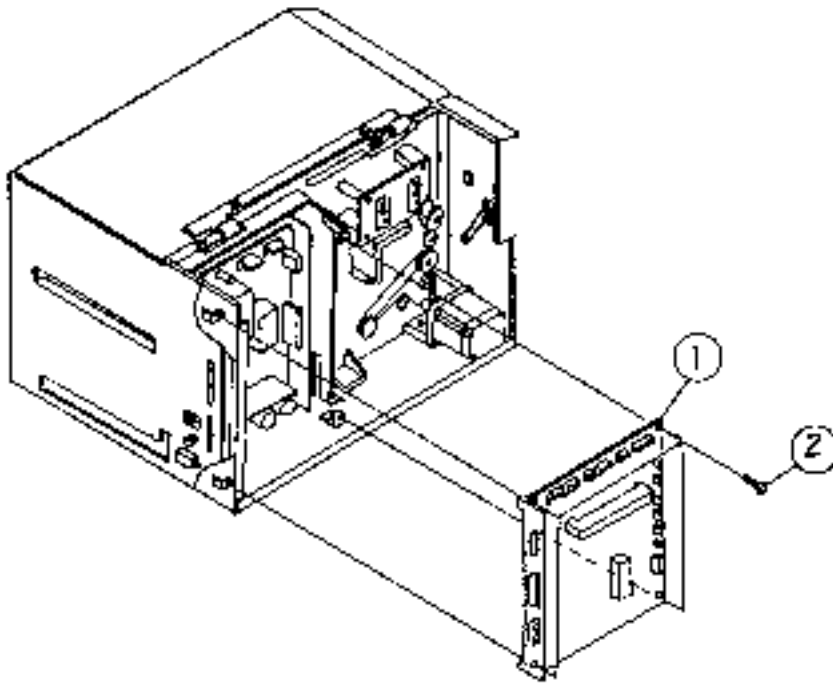
Ribbon Assembly			
Item #	Part Number	Description	QTY
01	PE4720100	Ribbon boss	2
02	PA4690900	Spring	8
03	MH0300521	P-tight screw	8
04	PT2301020	Oil-less dry metal	2
05	PA0680400	Disc	2
06	PC1730100	Spring	2
07	PE2730100	Stopper collar	2
08	PB5730100	Adjust screw	2
09	MA0302521	Pan head screw	2
10	PB0720400	Shaft (ribbon)	2
11	PE4720200	Plate holder boss	2
12	MA0301621	Pan head screw	1
13	MA0302521	Pan head screw	1
14	MT1300521	Hex nut	1
15	MH1250621	P-tight screw	4
16	PA0680300	Friction washer	2
17	PC0730100	Spring (back)	1
18	PE1681100	Guide plate (B)	1
19	PE7720100	Disk plate (A)	1
20	PE6720100	Disk plate cover	1
21	MD4300821	Pan head screw	3
22	PA1720700	Ribbon frame	1
23	MD4400821	Pan head screw	5
24	PA1731000	Adjust plate	2
25	MD4300621	Pan head screw	4
26	MD4400821	Pan head screw	2
27	PT1114080	Ball supporter	2
28	PT1112080	Ball supporter	2
29	PR1720400	Pulley	1
30	ND0060030	E-snap ring	2
31	PT8131064	Timing belt	1
32	PA0730100	Guide plate	2
33	PA0730200	Hold plate	2
34	PE2720100	Collar	6

Feed Roller Assembly

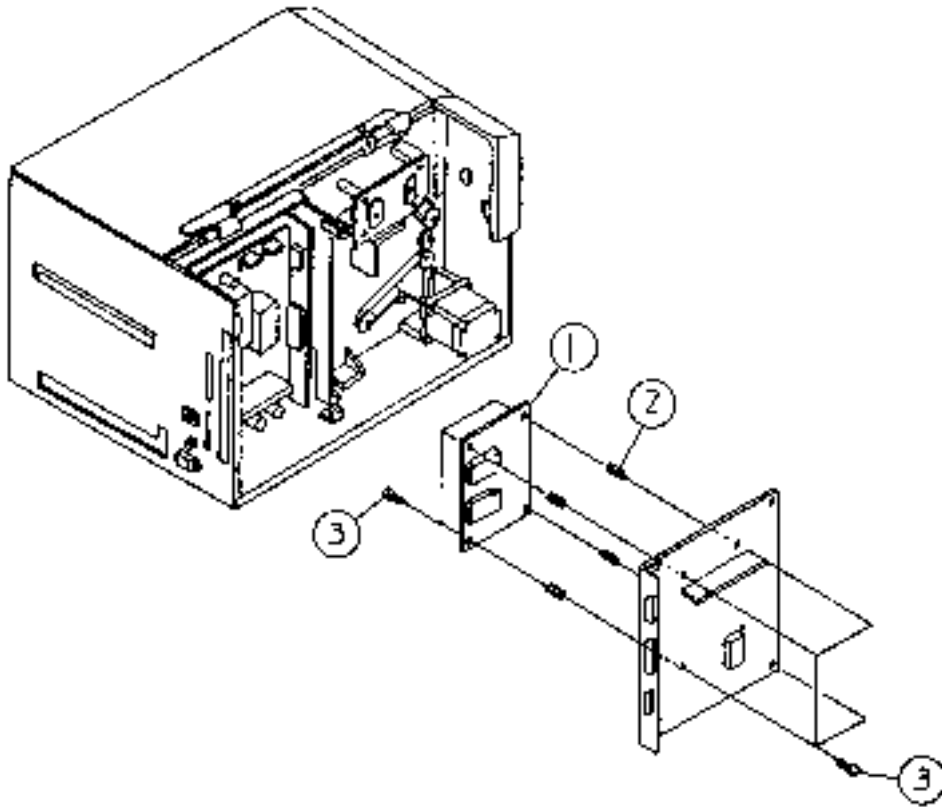


Feed Roller Assembly			
Item #	Part Number	Description	QTY
01	MD4401421	Pan head screw	1
02	PA1720200	Paper lid	1
03	PA1720400	Roller bracket (A)	1
04	PA1720500	Roller bracket (B)	1
05	MD4300821	Pan head screw	2
06	MJ9300622	Thin head screw	2
07	PE2730300	Stopper collar	2
08	MA0301021	Pan head screw	2
09	MT1300521	Hex nut	2
10	PC1010200	Head spring	2
11	PB0720500	Shaft (pressure)	1
12	PE3720200	Roller	6
13	ND0040030	E-snap ring	2
14	PA1720300	Lid bracket	1
15	PC2740200	Spring (open)	1
16	PB0741100	Shaft (lid)	2
17	ND0020030	E-snap ring	4
18	PA3742100	Latch handle	1
19	PC2740300	Spring (latch)	1
20	PR4720500	Paper lid cover	1
21	MD4300621	Pan head screw	2
22	RH1720800	Pitch sensor cord (SEN2)	1
23	MD3300621	Pan head screw	2
24	PE3720500	Roller	6

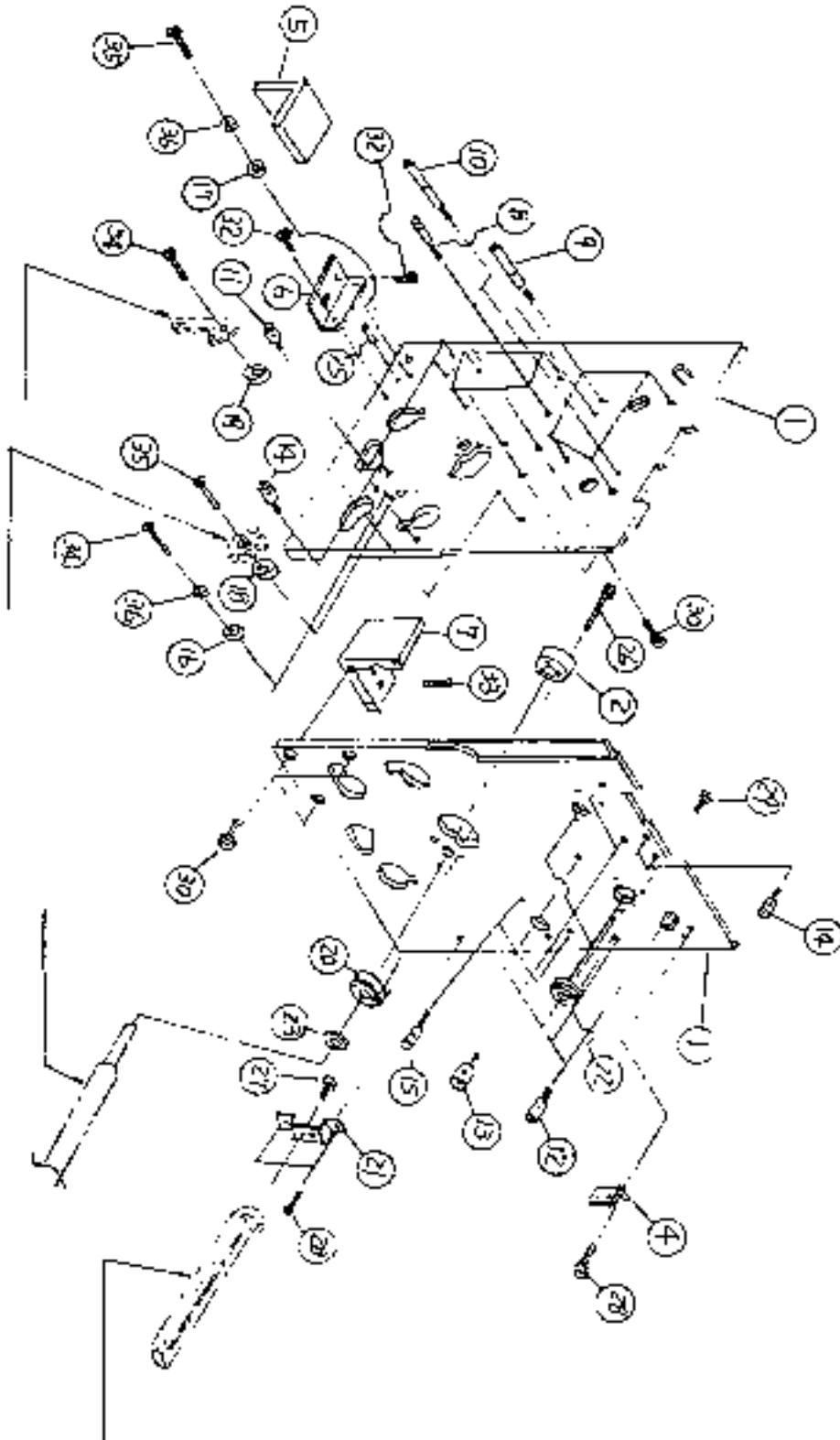
Main PCB Assembly			
Item #	Part Number	Description	QTY
01	RJ1720300	Main PCB	1
02	MD4300621	Pan head screw	4



Memory PCB Assembly			
Item #	Part Number	Description	QTY
01	RJ1723100	Memory PCBA	1
02	PT9730000	Spacer	4
03	MD3300621	Pan head screw	8

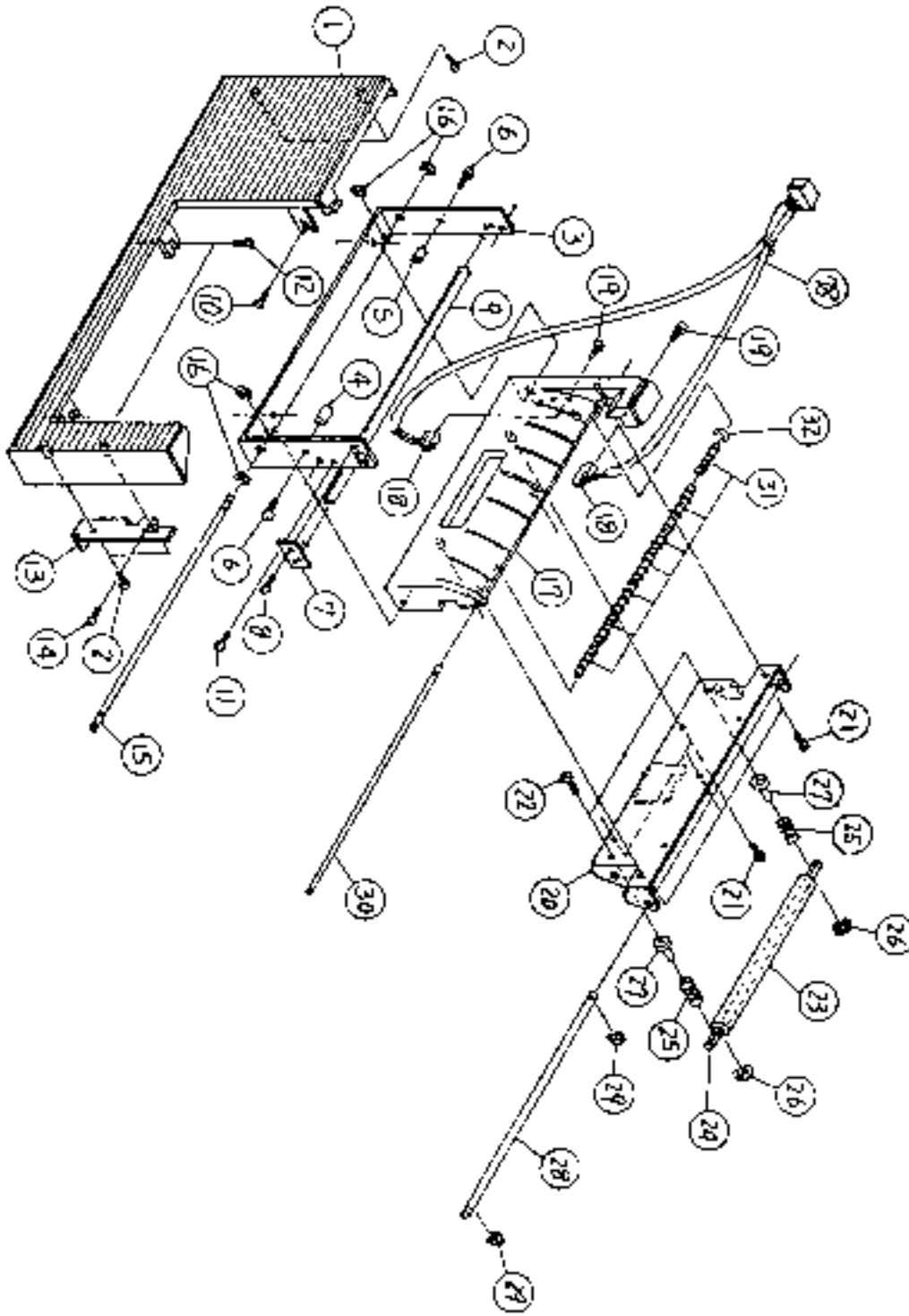


Limited Parts Assembly

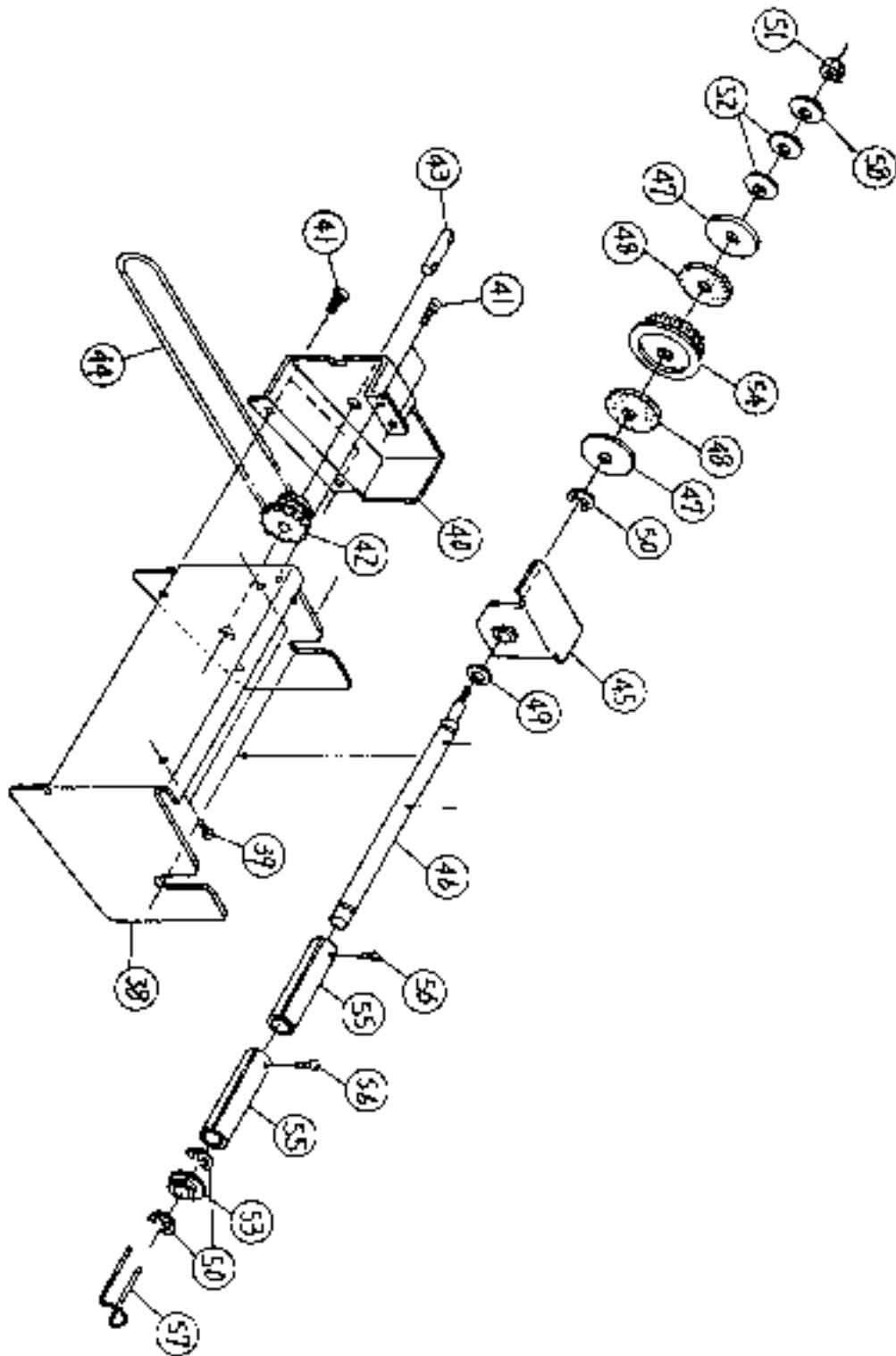


Limited Parts Assembly			
Item #	Part Number	Description	QTY
01	PP9720100	Engine frame	1
02	PP9720200	Shaft supporter	1
04	PP9720400	Sensor bracket (Ribbon)	1
05	PP9720500	Spacer (Motor A)	1
06	PP9720600	Frame bracket	1
07	PP9720700	Spacer (Motor B)	1
08	PP9720800	Post (A)	4
09	PP9720900	Post (B)	4
10	PP9721000	Post (C)	2
11	PP9721100	Post (D)	2
12	PP9721200	Post (E)	4
13	PP9721300	Post (F)	2
14	PP9721400	Post (G)	4
15	PP9721500	Post (H)	2
16	PP9721600	Spacer (A)	1
17	PP9721700	Spacer (B)	1
18	PP9721800	Spacer (C)	1
19	PP9721900	Spacer (D)	1
20	PP9722000	Shaft supporter	1
21	PP9722100	Guide shaft bracket	1
22	PP9722200	Shaft supporter	2
23	PP9722300	Collar	1
25	NG2030830	Pin	1
26	MN0303021	Hex bolt	3
27	MH0300821	P-tight screw	1
28	MD4300621	Pan head screw	4
29	MD4302021	Pan head screw	6
30	MD3401421	Pan head screw	6
32	MD4401221	Pan head screw	3
33	MD4401621	Pan head screw	1
34	MD4402021	Pan head screw	2
35	MD4402521	Pan head screw	2
36	MT1400721	Hex nut	2

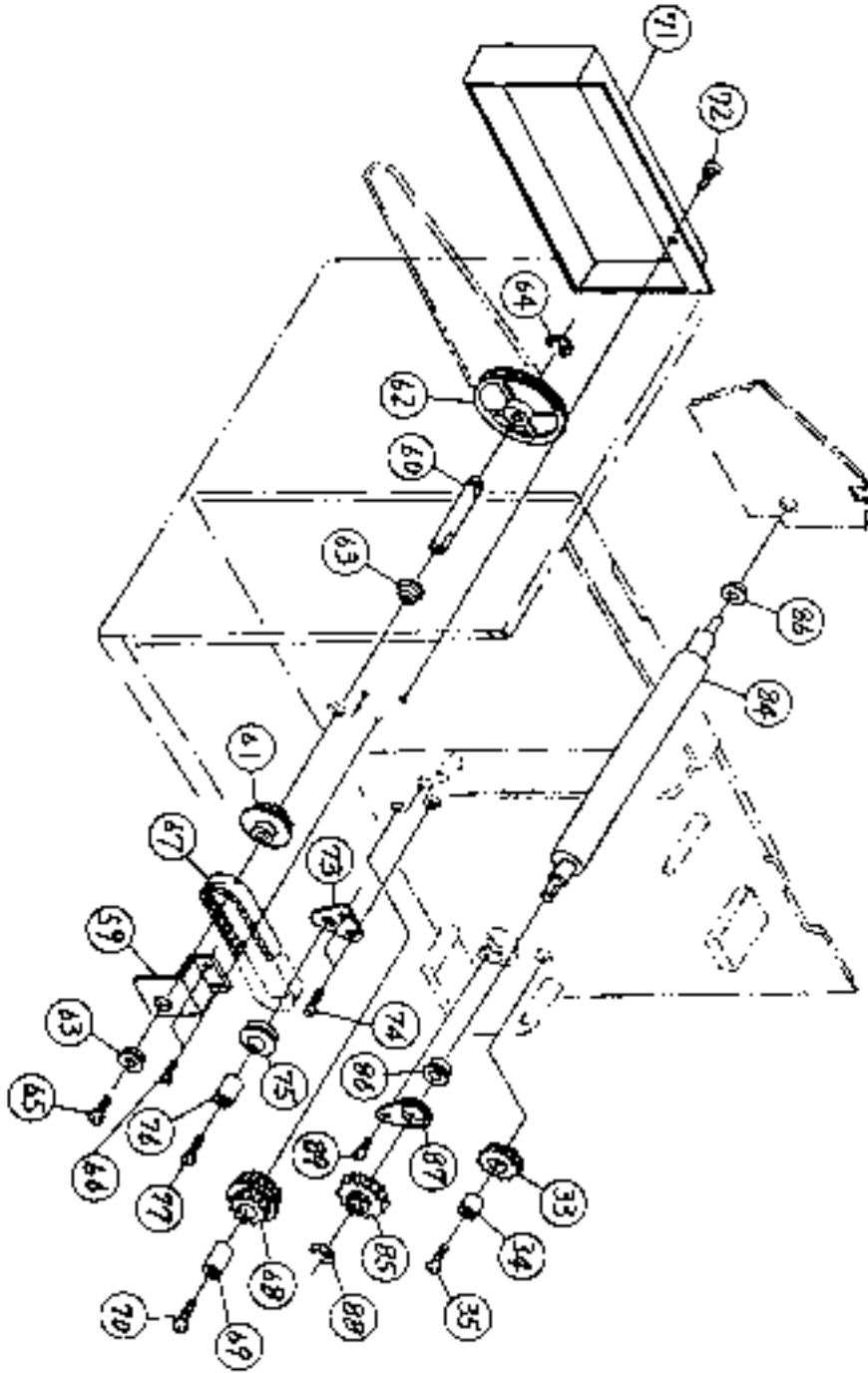
Dispenser Unit Assembly



Dispenser Unit Assembly



Dispenser Unit Assembly

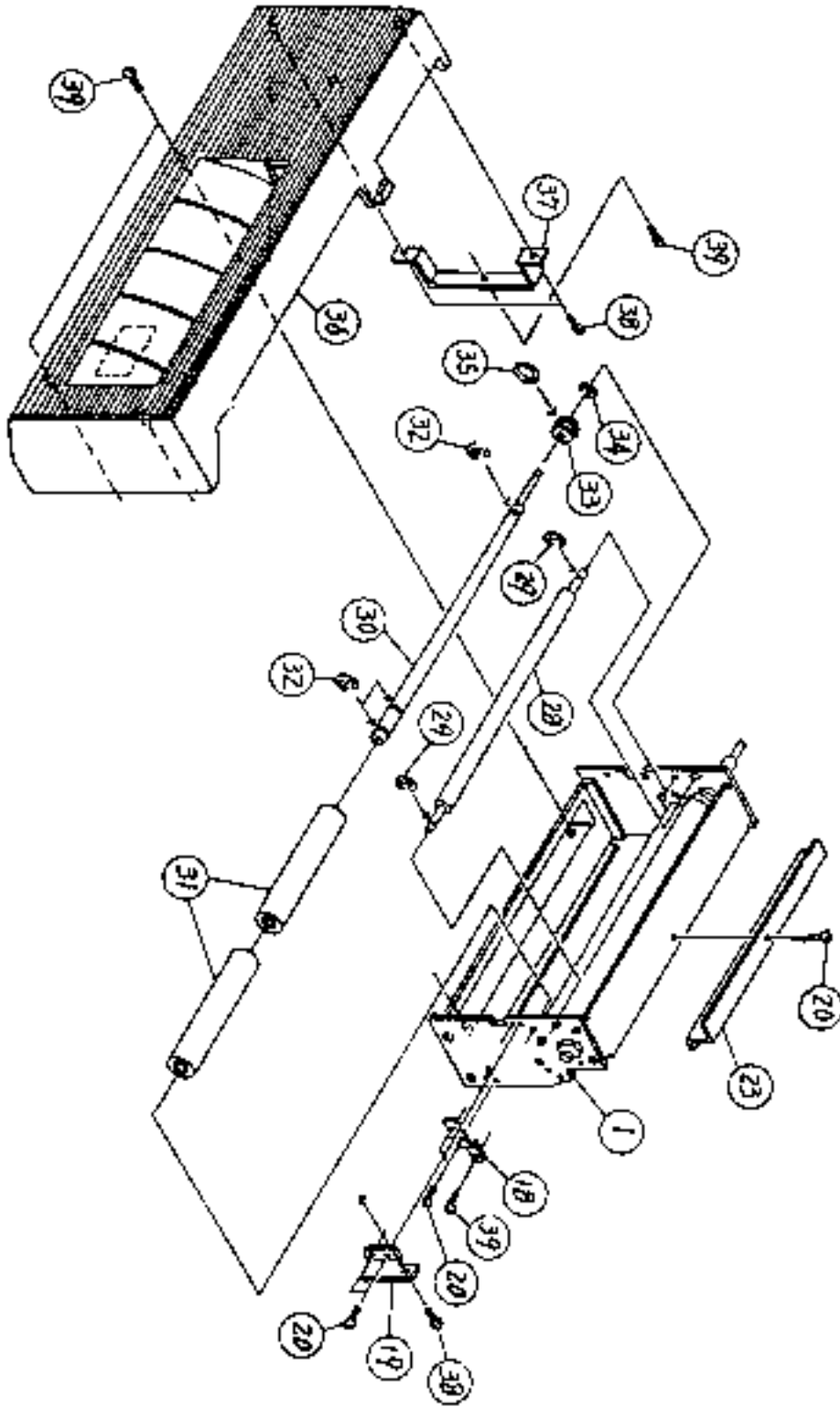


Dispenser Unit Assembly			
Item #	Part Number	Description	QTY
01	PH0720400	Dispense cover	1
02	MH0300821	P-tight screw	4
03	PA1724701	Dispense frame	1
04	PB0721600	Post (latch) RH	1
05	PB0721700	Post (Post (latch) LH	1
06	MD4300621	Pan head screw	2
07	PA1724500	Adjust plate	1
08	MD4300621	Pan head screw	1
09	PA1724600	Dispense bar	1
10	MD4301021	Pan head screw	1
11	MD4300821	Pan head screw	1
12	MD4300621	Pan head screw	2
13	PA1724800	Dispense cover bracket	1
14	MD4300621	Pan head screw	2
15	PB0721400	Shaft (Guide)	1
16	ND0030030	E-snap ring	4
17	PE1720400	Dispense bracket	1
18	PE1570300	Dispense sensor bracket	2
19	MH0250621	P-tight screw	2
20	PA1724400	Roller bracket	1
21	MH0300821	P-tight screw	5
22	MA0300621	Pan head screw	2
23	PR1520200	Pressure roller sub	1
24	PB0721200	Shaft (Pressure roller)	1
25	PC1010200	Head spring	2
26	ND0040030	E-snap ring	2
27	PE2730300	Stopper collar	2
28	PB0721500	Shaft (Supporter)	1
29	ND0040030	E-snap ring	2
30	PB0721300	Shaft (Dispense roller)	1
31	PE3520600	Dispense roller	7
32	ND0020030	E-snap ring	1
33	PE8720800	Gear	1
34	PB2720100	Collar	1
35	MD4401421	Pan head screw	1
38	PA1725200	Rewind frame	1

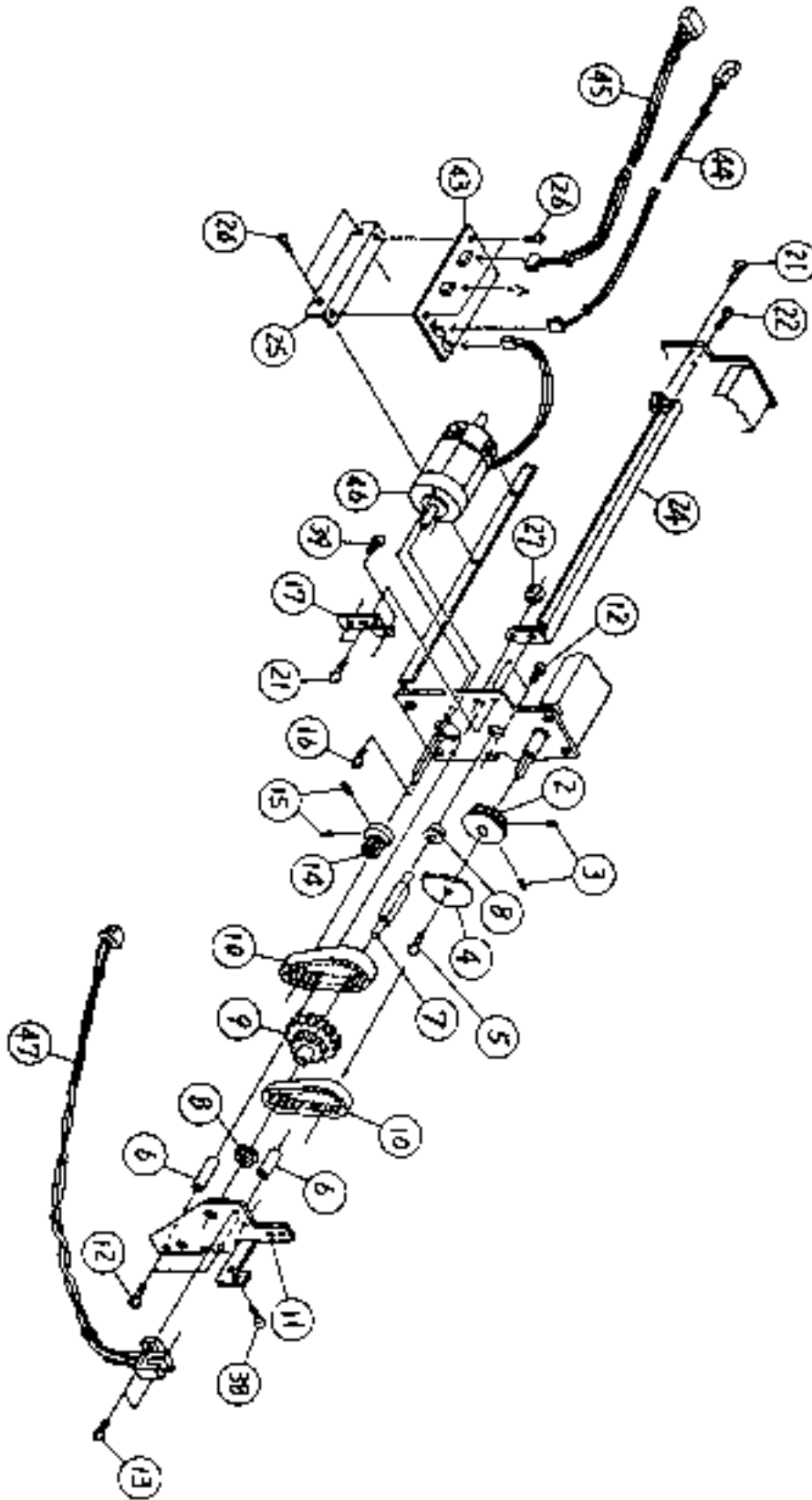
Dispenser Unit Assembly			
Item #	Part Number	Description	QTY
39	MD4300621	Pan head screw	2
40	PA1725100	Side frame	1
41	MD4300621	Pan head screw	4
42	PE8721000	Gear pulley	1
43	PB0721800	Shaft (Idle gear)	1
44	PR4720600	Rewind belt	1
45	PR1720700	Rewind handle	1
46	PB0721900	Shaft (rewind)	1
47	PA1724900	Flange	2
48	PJ4720100	Facing	2
49	NA0060022	Flat washer	2
50	ND0040030	E-snap ring	3
51	MT1400722	Hex nut	1
52	NB5100030	Spring	2
53	PL2720200	Bush	1
54	PE8721100	Gear	1
55	PB4720100	Rewind core	2
56	MD4301221	Pan head screw	2
57	PC3720100	Rewind knob	1
58	PB9720100	Adjust nut	1
59	PA1725300	Idle shaft bracket	1
60	PB0722000	Shaft (Idle gear)	1
61	PE8721200	Pulley	1
62	PE8520500	Rewind pulley	1
63	PT1112060	Ball supporter	2
64	ND0040030	E-snap ring	1
65	MD4300621	Pan head screw	1
66	MD4300621	Pan head screw	4
67	PT8095064	Timing belt	1
68	PE8720900	Gear pulley	1
69	PB2720200	Collar	1
70	MD4402221	Pan head screw	1
71	PA1725400	Belt cover	1
72	MD4300621	Pan head screw	1
73	PA1723100	Tension bracket (A)	1
74	MD4300821	Pan head screw	2
75	PE3720100	Tension roller	1
76	PB2720600	Collar	1

Dispenser Unit Assembly			
Item #	Part Number	Description	QTY
77	MD4401421	Pan head screw	1
78	RH1721100	Dispense sensor cord (SEN4)	1
84	PR0720300	Feed roller	1
85	PE8720700	Gear	1
86	PT1112060	Ball supporter	2
87	PA1680200	Bearing clamp	1
88	ND0040030	E-snap ring	1
89	MD4300821	Pan head screw	1

Cutter Unit Assembly



Cutter Unit Assembly



Cutter Unit Assembly			
Item #	Part Number	Description	QTY
01	PR1720800	Cutter set	1
02	PR1691401	Cutter pulley	1
03	MJ1300424	W-point screw	2
04	PA1725500	Sensor slit	1
05	MD4300621	Pan head screw	1
06	PB0722100	Post (Idle gear)	2
07	PB0722200	Shaft (Idle gear)	1
08	PT1107030	Ball supporter	2
09	PE8721300	Pulley	1
10	PU3112060	Timing belt	2
11	PA1725600	Sensor bracket	1
12	MD4300821	Pan head screw	4
13	MD3300621	Pan head screw	2
14	PL1720300	Motor pulley	1
15	MJ1300424	W-point screw	2
16	MD4300821	Pan head screw	4
17	PA1725700	Cover bracket (A)	1
18	PA1725800	Cover bracket (B)	1
19	PA1725900	Cover bracket (C)	1
20	MD4300621	Pan head screw	5
21	MD4301021	Pan head screw	2
22	MD0401021	Pan head screw	1
23	PA1726200	Cutter protect (A)	1
24	PA1726300	Cutter protect (B)	1
25	PA1726000	PCB bracket	1
26	MD3300621	Pan head screw	4
27	MT1300521	Hex nut	2
28	PB0722300	Feed roller (Cutter)	1
29	ND0020030	E-snap ring	2
30	PB0722400	Shaft (Feed roller)	1
31	PR1720900	Roller (Cutter)	2
32	ND0040030	E-snap ring	3
33	PE8721400	Pulley	1
34	ND0020030	E-snap ring	1
35	NM0000010	O-ring	1
36	PR1721000	cover (Cutter)	1
37	PA1726100	Cover bracket	1

Cutter Unit Assembly			
Item #	Part Number	Description	QTY
38	MH0300821	P-tight screw	4
39	MD4301021	Pan head screw	5
43	RJ1723500	Cutter PCB set	1
44	RH1722000	Cutter cord (CUTP)	1
45	RH1722100	Cutter cord (CUTS)	1
46	RH1722200	Motor cord (DCM)	1
47	RH1722300	Cutter sensor cord (CSEN)	1